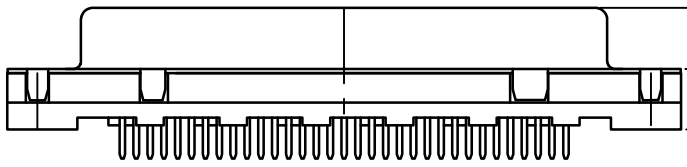
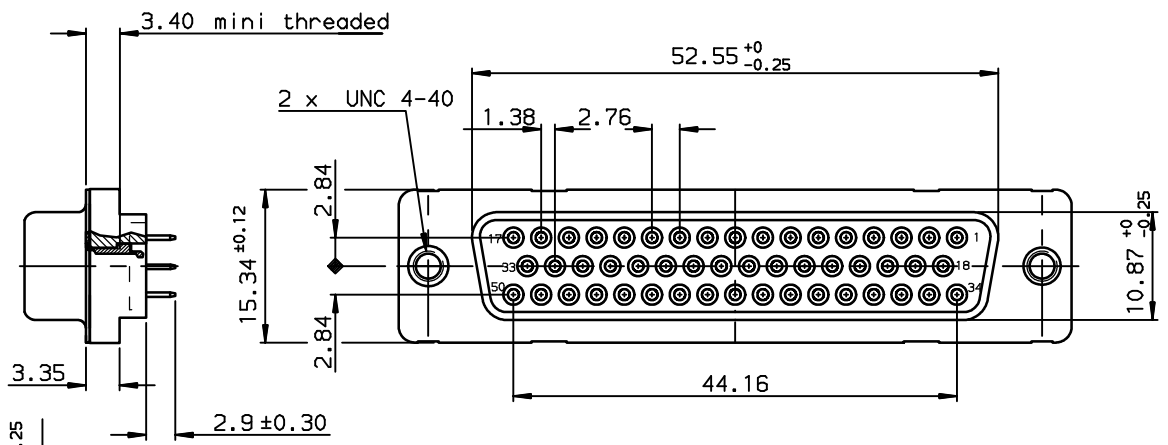
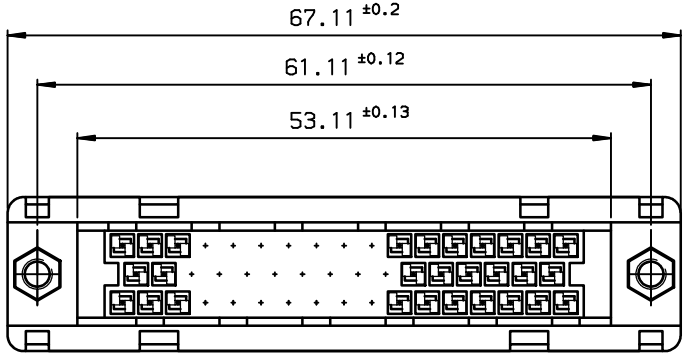
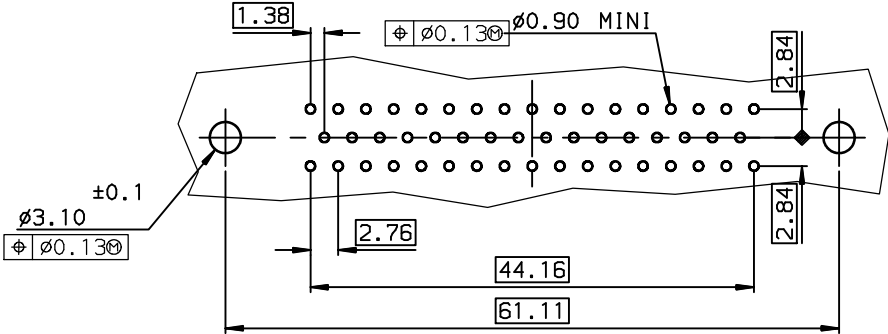


Copyright FCI.



PC CARD DRILLING DIMENSIONS
Thickness 1.6 mm



TIN LEAD PART NUMBER

Part number: D50524A*PX00

Plating: 4 --> Flash AU
Plating: 6 --> 0.76µ AU

LEAD FREE PART NUMBER

Part number: D50524A*PX00LF

Plating: 4 --> Flash AU
Plating: 6 --> 0.76µ AU

GENERAL CHARACTERISTICS AND ROHS INFORMATIONS:
SEE DRAWING C01-8646-0000

European Views

www.fciconnect.com		surface ISO 1302	tolerance std ISO 406 ISO 1101	projection mm
		TOLERANCES UNLESS OTHERWISE SPECIFIED		
Dr	BOUITIER	1997/11/04	ANGULAR	size A3
Eng	PESSON	1997/11/04	LINEAR	Scale 2
Chr	LEGARE	1997/11/04	0.xx' ±2'	ECN LS06-0095
Appr	LEGARE	1997/11/04	Product family	Spec ref -
FCI		title FEMALE CONNECTOR DELTA D 50-EUROPE Straight solder, threaded insert		Rev. C
catalog no		-		CUSTOMER sheet 1 of 1

rev	ecn no	dr	date
A	-	BOU	1997/11/04
B	LS05-001	MPE	2005/03/14
C	LS06-0095	LGO	2006/07/22
-	-	-	-
-	-	-	-
-	-	-	-