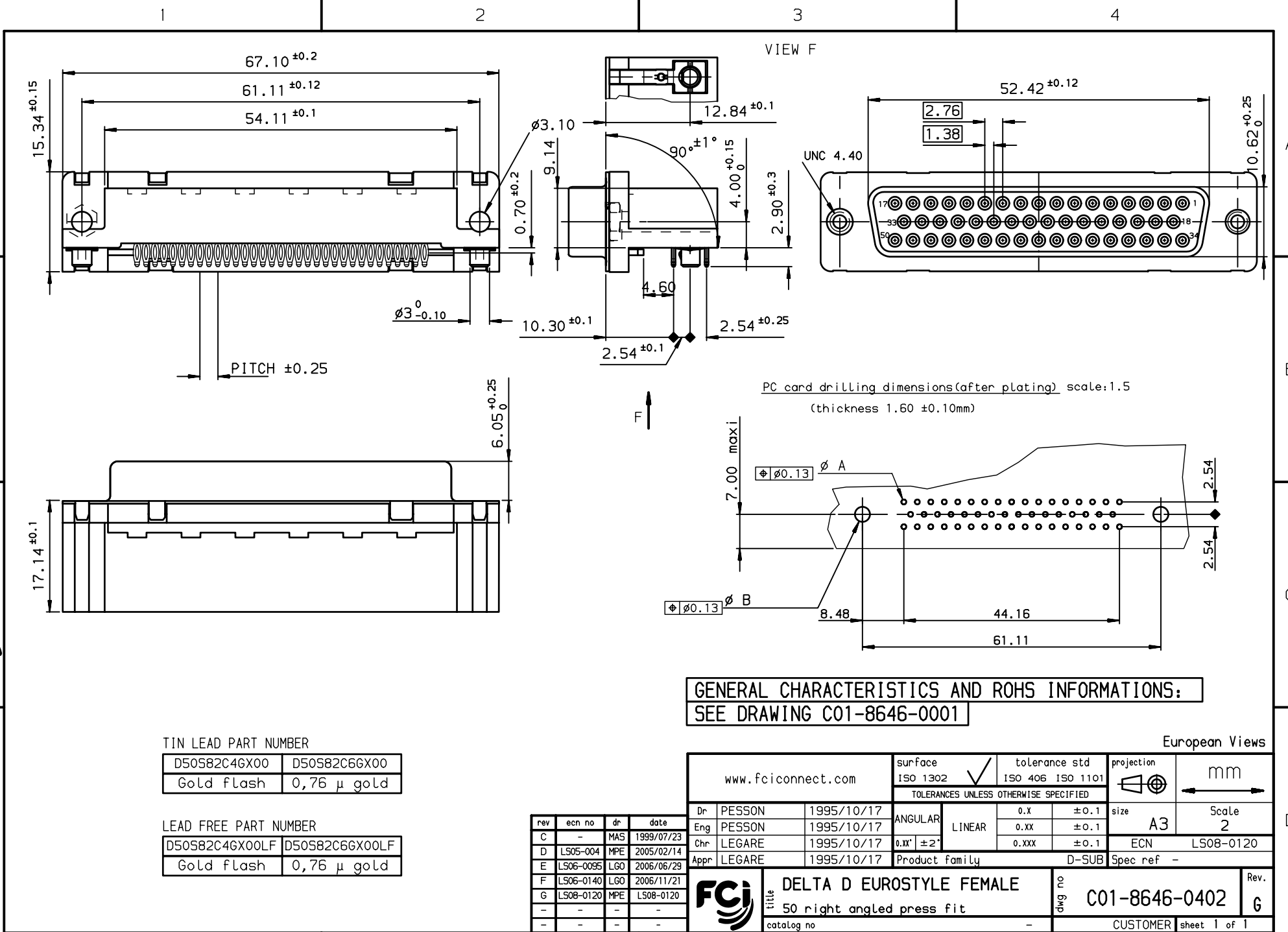


Copyright FCI. FCI



GENERAL CHARACTERISTICS AND ROHS INFORMATIONS:
SEE DRAWING C01-8646-0001

TIN LEAD PART NUMBER

D50S82C4GX00	D50S82C6GX00
Gold flash	0,76 μ gold

LEAD FREE PART NUMBER

D50S82C4GX00LF	D50S82C6GX00LF
Gold flash	0,76 μ gold

rev	ecn no	dr	date
C	-	MAS	1999/07/23
D	LS05-004	MPE	2005/02/14
E	LS06-0095	LGO	2006/06/29
F	LS06-0140	LGO	2006/11/21
G	LS08-0120	MPE	LS08-0120
-	-	-	-
-	-	-	-

www.fciconnect.com		surface ISO 1302	tolerance std ISO 406 ISO 1101	projection mm
TOLERANCES UNLESS OTHERWISE SPECIFIED		ANGULAR	LINEAR	size A3
Dr	PESSON	1995/10/17	0.X	±0.1
Eng	PESSON	1995/10/17	0.XX	±0.1
Chr	LEGARE	1995/10/17	0.XXX	±0.1
Appr	LEGARE	1995/10/17	0.XXX	±0.1
Product family		D-SUB		ECN LS08-0120
Spec ref		-		
title DELTA D EUROSTYLE FEMALE		dwg no C01-8646-0402		Rev. G
catalog no		CUSTOMER		sheet 1 of 1

REV F - 2006-04-17