



Copyright FCI.

A

B

C

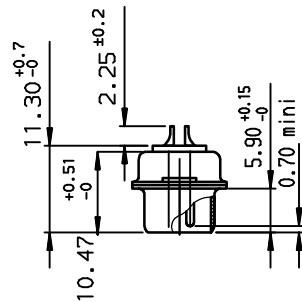
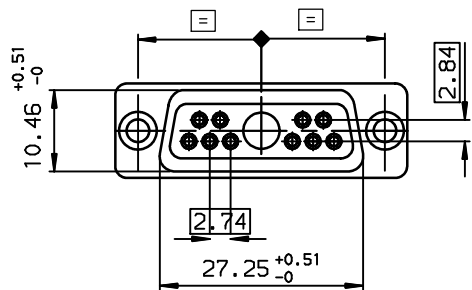
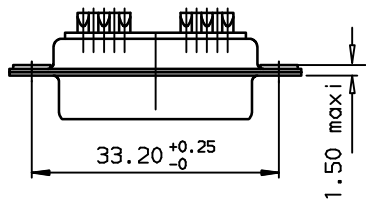
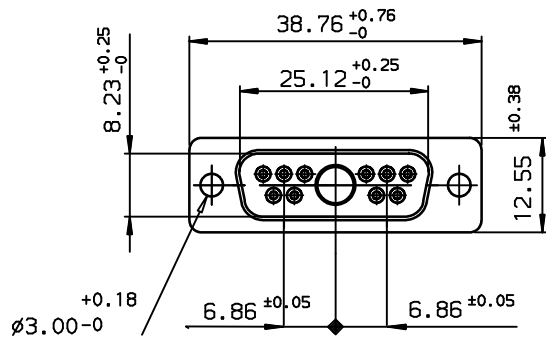
D

A

B

C

D



TIN LEAD PART NUMBER

DA11W1PA00
PART NUMBER

LEAD FREE PART NUMBER

DA11W1PA00LF
PART NUMBER

GENERAL CHARACTERISTICS AND ROHS INFORMATIONS:
SEE DRAWING C01-8639-0003

European Views

rev	ecn no	dr	date
B	-	DEB	2003/10/21
C	LS05-005	MPE	2005/03/16
D	LS06-0095	LGO	2006/07/20
-	-	-	-
-	-	-	-
-	-	-	-

www.fciconnect.com		surface ISO 1302 ✓	tolerance std ISO 406 ISO 1101	projection mm
		TOLERANCES UNLESS OTHERWISE SPECIFIED		
Dr	JOUBERT	1998/01/08	ANGULAR	size A3
Eng	PESSON	1998/01/08	LINEAR	Scale 1.5
Chr	LEGARE	1998/01/08	0.xx* ±2*	ECN LS06-0095
Appr	LEGARE	1998/01/08	0.xxx ±0.1	Spec ref -
		Product family	D-SUB	
		title PIN CONNECTOR FOR POWER CONTACT.		Rev. D
		catalog no	-	chg no C01-8639-0702
		CUSTOMER		sheet 1 of 1

REV F - 2006-04-17