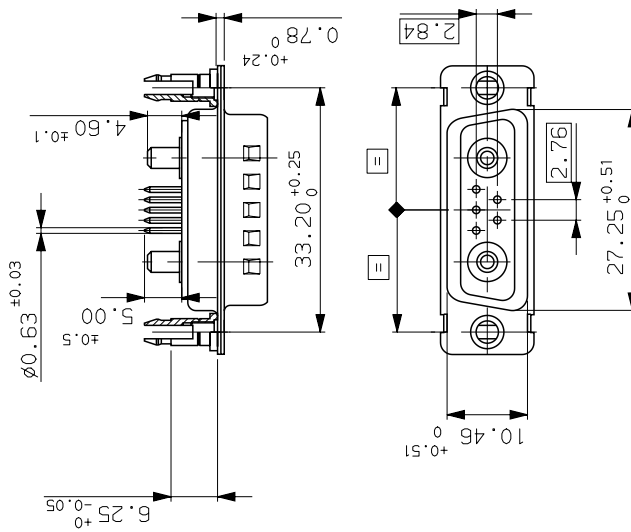
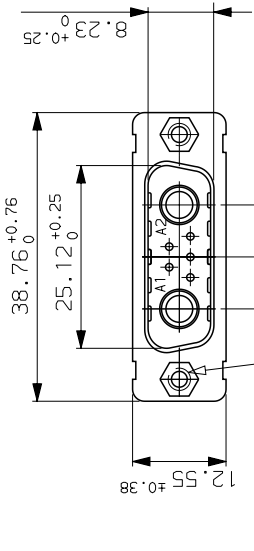
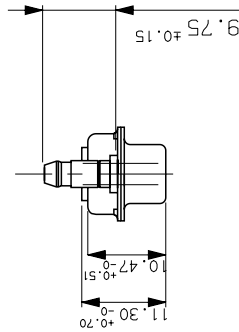
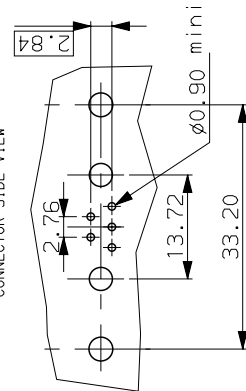


GENERAL CHARACTERISTICS : SEE DRAWING C01-8639-0000



LAYOUT DIMENSIONS (after plating)
CONNECTOR SIDE VIEW



DA07W2P300G40	UNC 4.40
DAL7W2P300G40	M3
PART NUMBER	Threaded A

b 29/09/03	update	ISS DATE	Lastest modification by : DEBRAY.T	MOD N°	--
Designed by : JARRY date 27/12/00		Type of drawing:	CLIENT		
Checked by : FONTENEAU date: --		Released by:	--		
TITLE : PIN CONNECTOR WITH TWO POWERS CONTACTS					
SCALE	1.5	Special mfg.---	MATERIAL---	N°: --	
	Item List n°: --	General linear Tolerances: --	General machining surface texture: --	Geometrical Tolerances: see NF E 04-552	SHEET 01
		FRAMATOME CONNECTORS FRANCE Rue Louis Bréguet - Bp 05 72024 LE MANS Cedex Tel. 33 (16) 43.84.08.43		This document is the property of FRAMATOME CONNECTORS FRANCE. It must not be reproduced or communicated without permission in writing from the owners.	
FORMAT	A3	SOURIAU DRG N°	C01-8639-1776		PROJECT M94D001