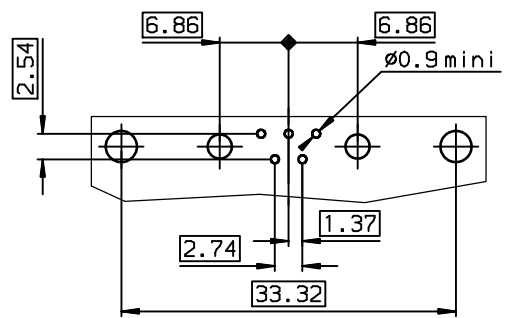


LAYOUT DIMENSIONS (after plating)  
CONNECTOR SIDE VIEW



TIN LEAD PART NUMBER

DA07W2P500G30	UNC 4.40
DAL7W2P500G30	M3
PART NUMBER	Threaded A

LEAD FREE PART NUMBER

DA07W2P500G30LF	UNC 4.40
DAL7W2P500G30LF	M3
PART NUMBER	Threaded A

GENERAL CHARACTERISTICS AND ROHS INFORMATIONS:  
SEE DRAWING C01-8639-0000

European Views

www.fciconnect.com		surface ISO 1302 ✓	tolerance std ISO 406 ISO 1101	projection mm
TOLERANCES UNLESS OTHERWISE SPECIFIED				size A3
Dr	ATC	1999/03/05	ANGULAR	Scale 2
Eng	PESSON	1999/03/05	LINEAR	ECN LS06-0095
Chr	LEGARE	1999/03/05	0.xx ± 2°	Spec ref -
Appr	LEGARE	1999/03/05	Product family	D-SUB
FCI			title PIN CONNECTOR 7W2 WITH POWERS CONTACTS	
catalog no			C01-8639-1663	
			Rev. D	

rev	ecn no	dr	date
B	-	DEB	2003/09/25
C	LS05-001	MPE	2005/03/08
D	LS06-0095	LGO	2006/07/20
-	-	-	-
-	-	-	-
-	-	-	-