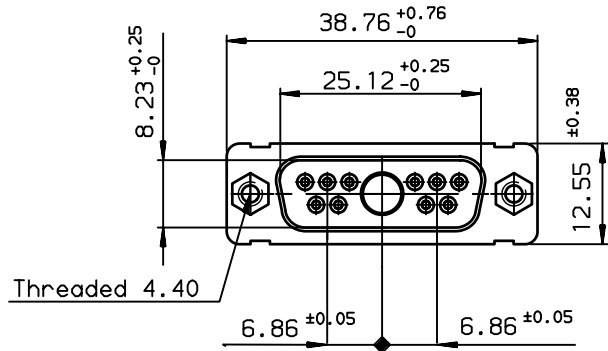
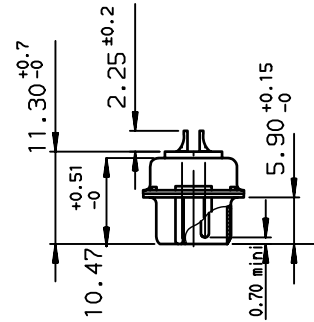
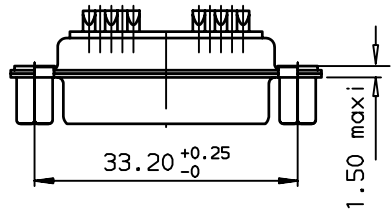


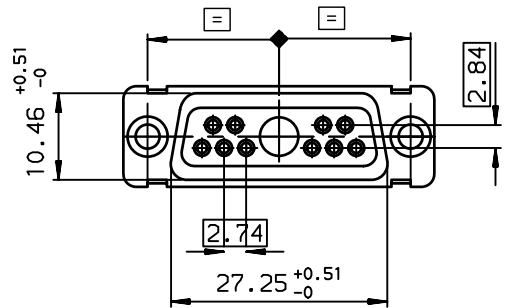
A



B



C



DAV11W1P043A00LF  
PART NUMBER

GENERAL CHARACTERISTICS AND ROHS INFORMATIONS:  
SEE DRAWING C01-8639-0000

European Views

www.fciconnect.com		surface ISO 1302	tolerance std ISO 406 ISO 1101	projection mm	size A3		Scale 1.5
		TOLERANCES UNLESS OTHERWISE SPECIFIED				ECN LS06-0095	
Dr	JARRY	2005/12/01	0.X	±0.1			
Eng	PESSON	2005/12/01	0.XX	±0.1			
Chr	LEGARE	2005/12/01	0.XX* ±2*	0.XXX	±0.1		
Appr	LEGARE	2005/12/01	Product family		D-SUB	Spec ref -	
FCI		PIN CONNECTOR FOR POWER CONTACT.			dwg no C01-8639-2256		Rev. B
catalog no		-		CUSTOMER		sheet 1 of 1	

rev	ecn no	dr	date
A	LS05-0106	MPE	2005/12/01
B	LS06-0095	LGO	2006/06/16
-	-	-	-
-	-	-	-
-	-	-	-
-	-	-	-



Copyright FCI.

D