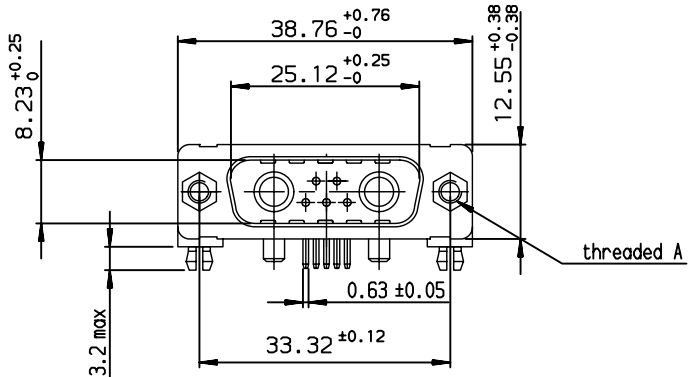
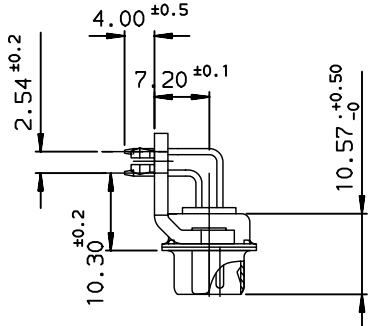


GENERAL CHARACTERISTICS AND ROHS INFORMATIONS

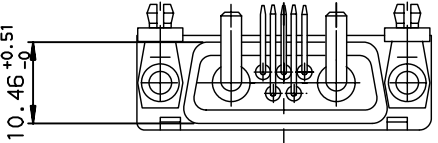
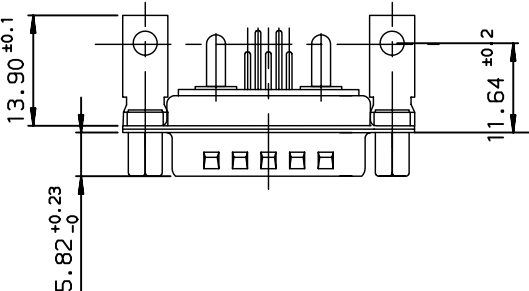
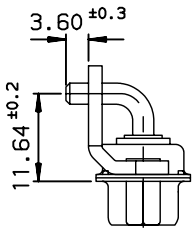
: SEE DRAWING C01-8639-0000



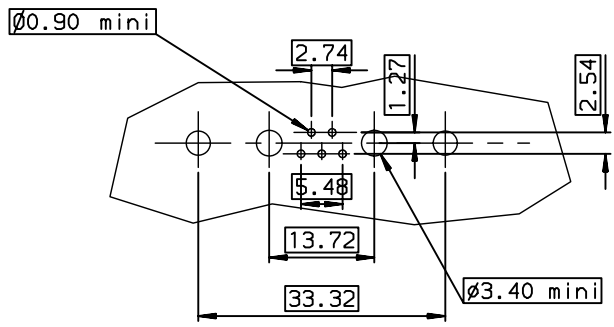
VIEW WITHOUT POWERS CONTACTS



VIEW WITH POWERS CONTACTS



LAYOUT DIMENSIONS (after plating)
CONNECTOR SIDE VIEW



DAI7W2P500G40LF	M3
PART NUMBER LEAD FREE	Threaded A

DAV7W2P500G40	UNC 4.40
DAI7W2P500G40	M3
PART NUMBER TIN LEAD	Threaded A

European Views

www.fciconnect.com		surface ISO 1302 ✓	tolerance std ISO 406 ISO 1101	projection mm
		TOLERANCES UNLESS OTHERWISE SPECIFIED		size A3
Dr	JARRY	06/11/95	0.X ±0.1	Scale 1.5
Eng	P LEGARE	06/11/95	0.XX ±0.1	ECN LS07-0088
Chr	P LEGARE	06/11/95	0.XXX ±0.1	Spec ref -
Appr	-	-	Product family DSUB	
FCJ		SUB MALE DW EUROPE		dwg no C01-8639-0599
		MIXED POWER RIGHT ANGLE SOLDER		Rev. C
catalog no		CUSTOMER		sheet 1 of 1

rev	ecn no	dr	date
C	LS07-0088	MPE	2007/03/26
-	-	-	-
-	-	-	-
-	-	-	-
-	-	-	-

Copyright FCJ.