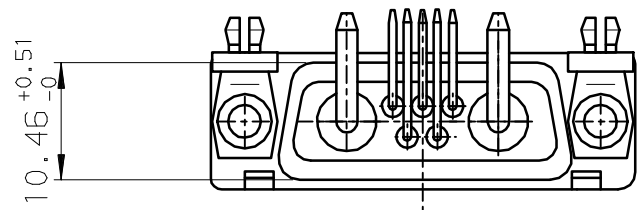
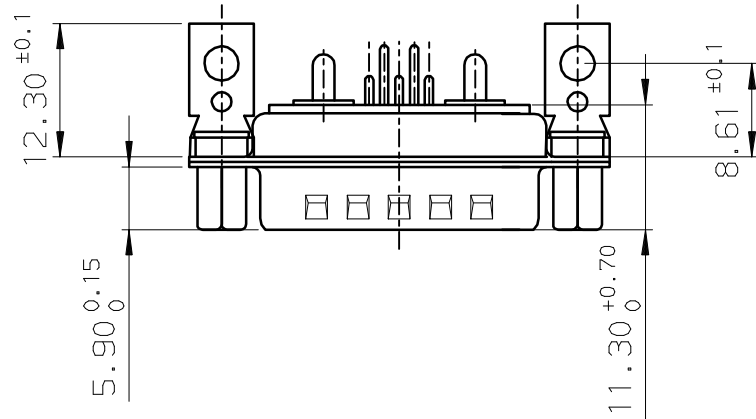
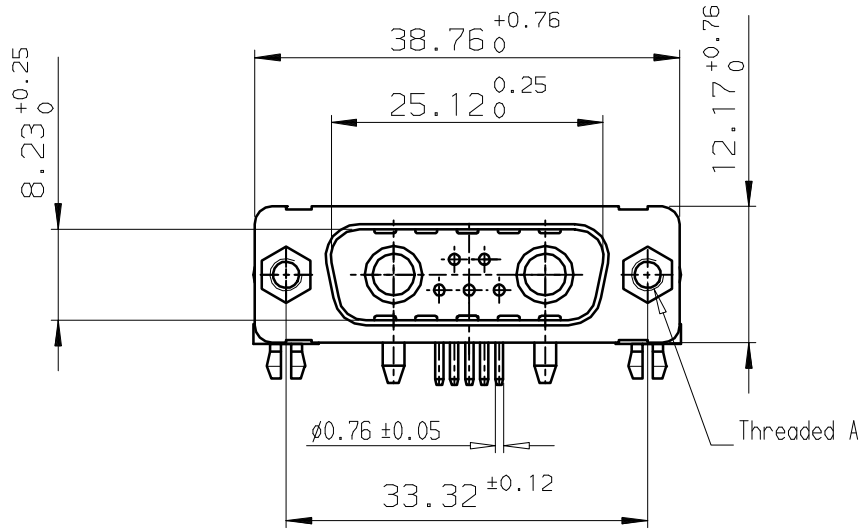


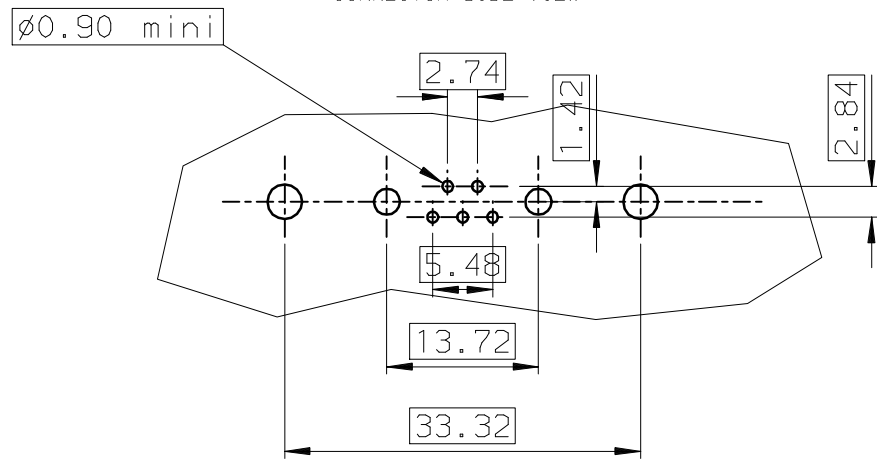
Tous droits strictement réservés. Reproduction ou communication à des tiers interdite sous quelque forme que ce soit sans autorisation écrite du propriétaire. Propriété de FCI. Droits de reproduction FCI.

FCI

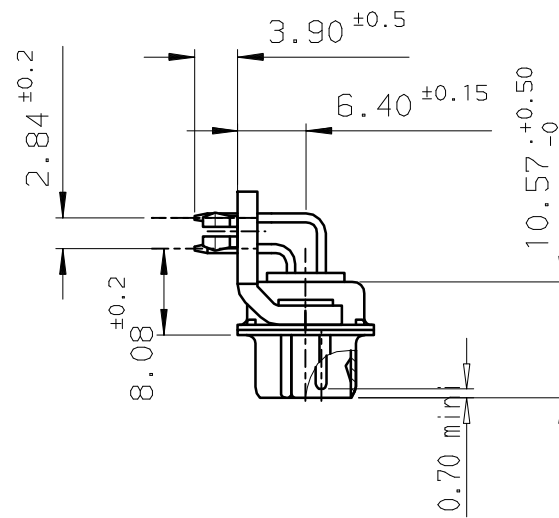
All rights strictly reserved. Reproduction or issue to third parties in any form whatever is not permitted without written authority from the proprietor. Property of FCI. Copyright FCI.



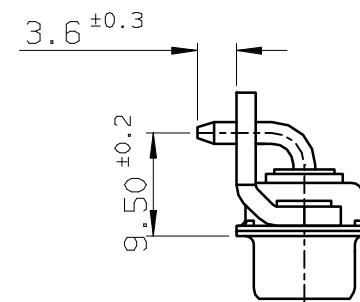
LAYOUT DIMENSIONS (after plating)
CONNECTOR SIDE VIEW



VIEW WITHOUT POWERS CONTACTS



VIEW WITH POWERS CONTACTS



TIN LEAD PART NUMBER

DAV7W2P743G30	UNC 4.40
DAV7W2P700G30	UNC 4.40
DAI7W2P700G30	M3
PART NUMBER	Threaded A

LEAD FREE PART NUMBER

DAV7W2P743G30LF	UNC 4.40
DAV7W2P700G30LF	UNC 4.40
DAI7W2P700G30LF	M3
PART NUMBER	Threaded A

GENERAL CHARACTERISTICS AND ROHS INFORMATIONS:
SEE DRAWING C01-8639-0001

European view

FCI	www.fciconnect.com		ISO 1302	tolerance ISO 406 ISO 1101	projection 	mm
	Dr JARRY	05/01/01	Product family	D-SUB	size	Scale
C	-	PES	17/05/04	Eng PESSON	05/01/01	Spec ref
D	LS05-001	MPE	09/03/05	Chr LEGARE	05/01/01	Material
-	-	-	-	Appr LEGARE	05/01/01	SEE NOTES
title				PIN CONNECTOR RIGHT ANGLED WITH POWERS CONTACTS .		Rev.
catalog no				- CUSTOMER COPY		sheet 1 of 1
-				-		1