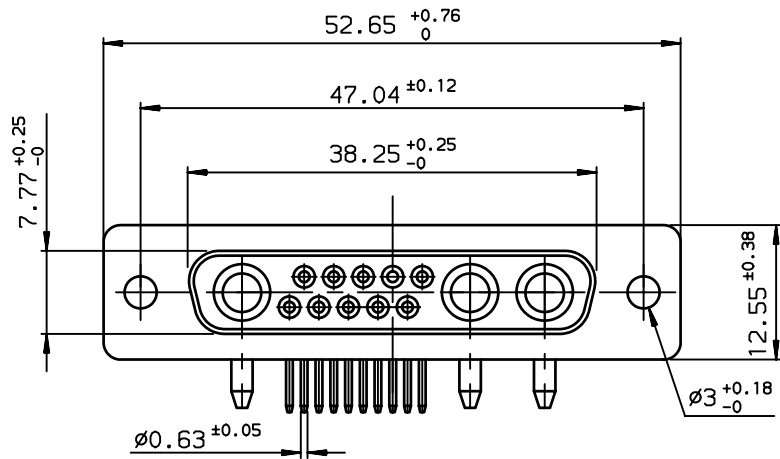


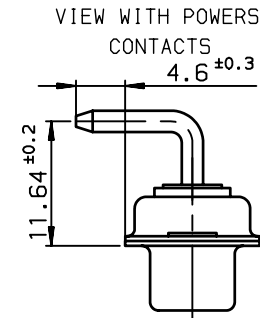
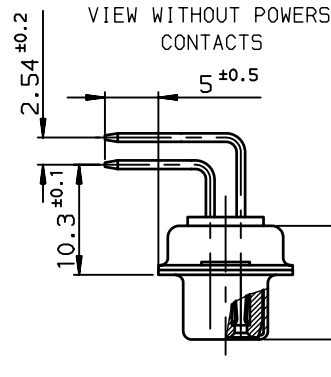
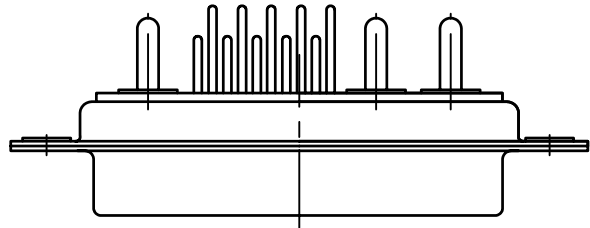
A

A



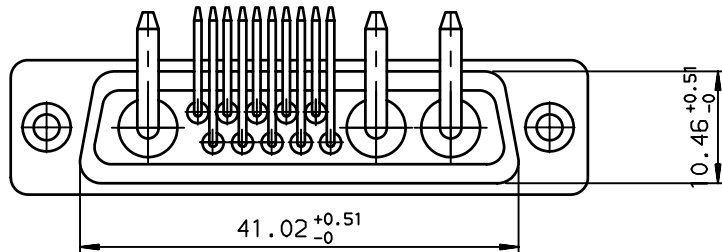
B

B



C

C



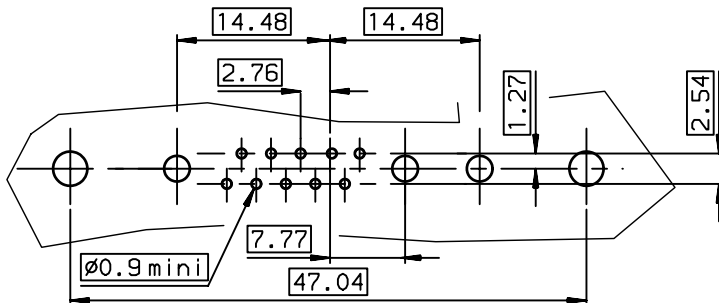
TIN LEAD PART NUMBER

DB13W3S500A30
PART NUMBER

LEAD FREE PART NUMBER

DB13W3S500A30LF
PART NUMBER

LAYOUT DIMENSIONS (after plating)
CONNECTOR SIDE VIEW



GENERAL CHARACTERISTICS AND ROHS INFORMATIONS:
SEE DRAWING C01-8639-0001

European Views

www.fciconnect.com	surface	tolerance std	projection	mm
	ISO 1302 ✓	ISO 406 ISO 1101		
TOLERANCES UNLESS OTHERWISE SPECIFIED				
Dr	JARRY	2001/01/08	ANGULAR	LINEAR
Eng	PESSON	2001/01/08	0.X	±0.1
Chr	LEGARE	2001/01/08	0.XX	±0.1
Appr	LEGARE	2001/01/08	0.XXX	±0.1
Product family			D-SUB	Spec ref -
title		SOCKET CONNECTOR FOR POWERS CONTACTS		Rev. D
catalog no		-		dwg no C01-8639-1809
CUSTOMER				sheet 1 of 1

rev	ecn no	dr	date
B	-	DEB	2003/10/01
C	LS05-001	MPE	2005/03/09
D	LS06-0095	LGO	2006/06/27
-	-	-	-
-	-	-	-
-	-	-	-

Copyright FCI.

