

A

B

C

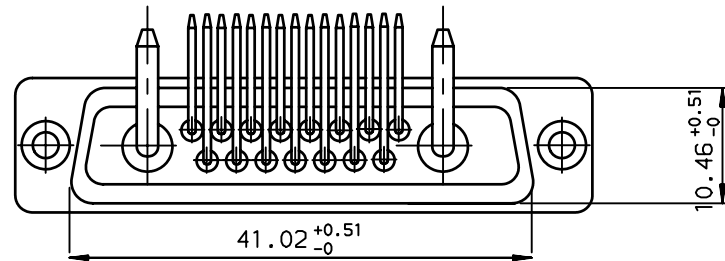
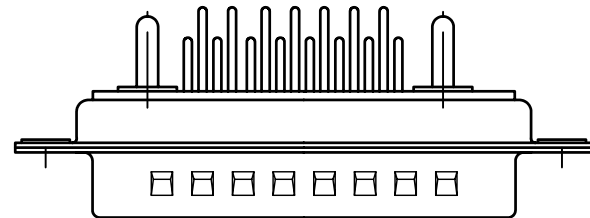
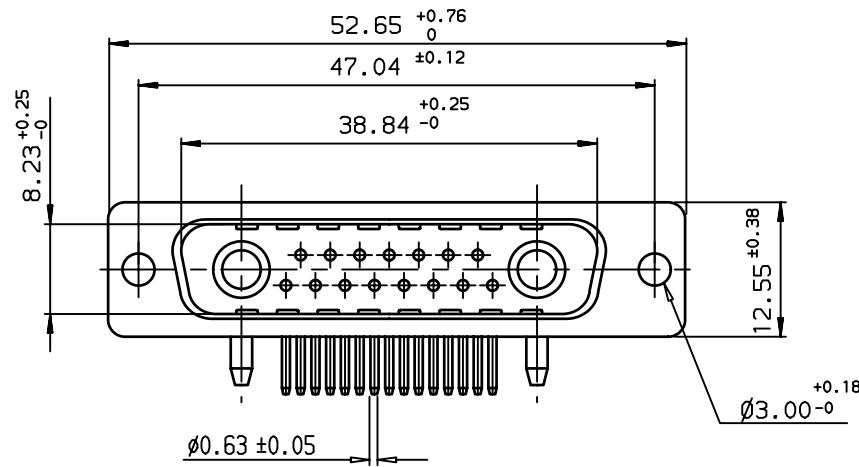
D

A

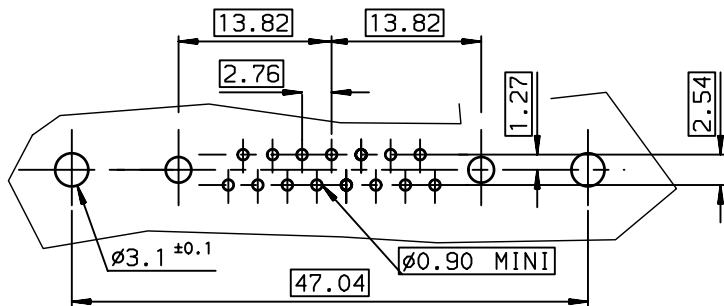
B

C

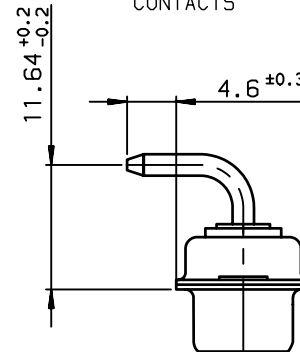
D



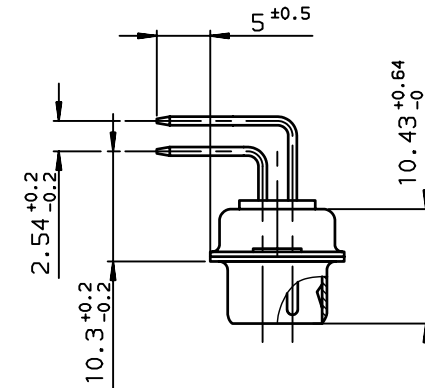
LAYOUT DIMENSIONS (after plating)
CONNECTOR SIDE VIEW



VIEW WITH POWERS CONTACTS



VIEW WITHOUT POWERS CONTACTS



TIN LEAD PART NUMBER

DB17W2P500A30
PART NUMBER

LEAD FREE PART NUMBER

DB17W2P500A30LF
PART NUMBER

GENERAL CHARACTERISTICS AND ROHS INFORMATIONS:
SEE DRAWING C01-8639-0001

European Views

www.fciconnect.com		surface ISO 1302 ✓	tolerance std ISO 406 ISO 1101	projection mm	size A3	Scale 2
TOLERANCES UNLESS OTHERWISE SPECIFIED				ANGULAR	0.X ±0.1	ECN L506-0095
				LINEAR	0.XX ±0.1	
				0.XX' ±2'	0.XXX ±0.1	
Product family				D-SUB Spec ref -		
		PIN CONNECTOR FOR POWERS CONTACTS		dwg no C01-8639-1811		Rev. D
catalog no				CUSTOMER sheet 1 of 1		

rev	ecn no	dr	date
B	-	DEB	2003/10/01
C	LS05-001	MPE	2005/03/09
D	LS06-0095	LGO	2006/06/27
-	-	-	-
-	-	-	-
-	-	-	-



Copyright FCI.