

**REFERENCE SPECIFICATIONS**

-NFC 93425 (in compliance with HE 507)

**PHYSICAL CHARACTERISTICS**

- INSULATOR MATERIAL: THERMOPLASTIC ,UL94V0
- CONTACT MATERIAL: BRASS
- ACCESSORIES: BRASS
- SHELLS: STEEL

**ELECTRICAL CHARACTERISTICS**

- NOMINAL CURRENT: 30A or 40A
- CONTACT RESISTANCE: <= 7.3 mOhms
- CONTACT/CONTACT : >=1000 V
- CONTACT/GROUND : >=1200 V
- INSULATION RESISTANCE: >=5000 MOhms

**ENVIRONMENTAL CHARACTERISTICS**

- CLIMATIC CATEGORY: 55/125/21
- TEMPERATURE RANGE -55°C TO +125°C
- DAMP HEAT STEADY STATE 21 DAYS
- SALT SPRAY 24 HOURS

**MECHANICAL CHARACTERISTICS**

- RETENTION AGAINST TORQUE: - Threaded insert: 0.7 N.m minimum
- Female screw : 0.5 N.m minimum

**NOTE RoHS INFORMATION**

- The "LF" products meet european union Directives and other country regulations as described in GS-22-008.
- The housing will withstand exposure to 260°C peak temperature for 3.5 seconds in a wave solder application with a 1.6mm minimum thick circuit board. See application notes/procedures if they are available.
- Termination plating spec:
  - Ni 1.27µm+Sn 2.5 to 7.5µm(pure bright)
- Active area plating spec:
  - Ni + Gold
- Shell plating :2 to 4µm Cu + Ni + 3 to 10µm Sn(pure bright)
- Accessories: Sn pure bright + nickel
- Packaging spec: See GS-14-920

# DBL5W5P500G30LF

Series

Shell size: **E A B C**  
(see sheet 3)

Front accessory definition  
(see sheet 2)

- blank:without accessory
- L :threaded insert M3
- O :threaded insert UNC 4-40
- V :female screw UNC 4-40

Layout of contacts (see sheet 3)

Contacts

**P** Pin

Termination type

**5** Right angle/Europe standard

Plating

- 00** 200 matings/unmatings
- 43** 500 matings/unmatings

PCB accessories definition(see sheet 2)

- A** :without accessory
- H** :Metal brackets+harpoons for PCB 2.40mm
- G** :Metal brackets+harpoons for PCB 1.60mm
- M** :Metal brackets

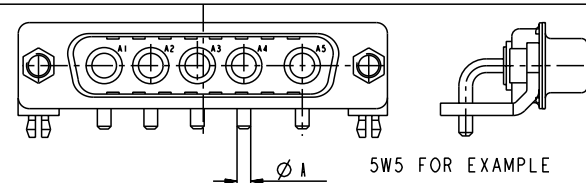
Power contacts

- 30** :Fitted with power contacts 30 Amp.
- 40** :Fitted with power contacts 40 Amp.

See note RoHS

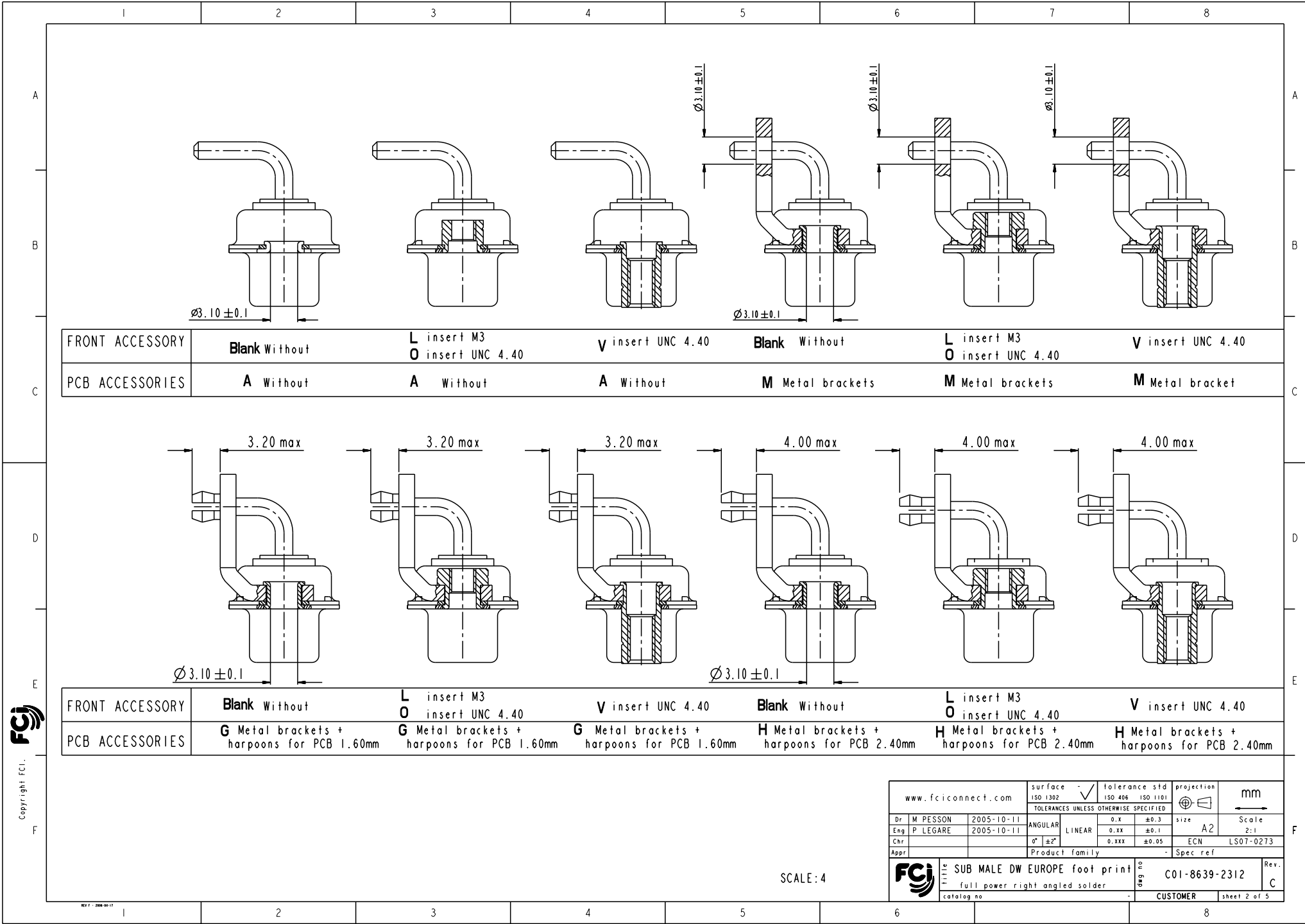
TABLE 1:PCB HOLE DIAMETERS

	POWER CONTACTS		ACCESSORIES
30 A	2.00	Ø2.40	Ø3.10
40 A	2.80	Ø3.10	
Max current power	ØA +0.1 0	PCB HOLE +/-0.1	PCB HOLE +/-0.1



www.fciconnect.com		surface	tolerance std	projection	mm
		ISO 1302	ISO 406 ISO 1101	mm	
		TOLERANCES UNLESS OTHERWISE SPECIFIED			
Dr	M PESSON	2005-10-11	ANGULAR	LINEAR	size A2 Scale 2:1
Eng	P LEGARE	2005-10-11	°	±2'	ECN LS07-0273
Chr					Spec ref
Appr					
FCI		SUB MALE DW EUROPE foot print		ang no	C01-8639-2312
		full power right angled solder		Rev.	C
catalog no		CUSTOMER		sheet 1 of 5	

Copyright FCI.



FRONT ACCESSORY	Blank Without	L insert M3 O insert UNC 4.40	V insert UNC 4.40	Blank Without	L insert M3 O insert UNC 4.40	V insert UNC 4.40
PCB ACCESSORIES	A Without	A Without	A Without	M Metal brackets	M Metal brackets	M Metal bracket

FRONT ACCESSORY	Blank Without	L insert M3 O insert UNC 4.40	V insert UNC 4.40	Blank Without	L insert M3 O insert UNC 4.40	V insert UNC 4.40
PCB ACCESSORIES	G Metal brackets + harpoons for PCB 1.60mm	G Metal brackets + harpoons for PCB 1.60mm	G Metal brackets + harpoons for PCB 1.60mm	H Metal brackets + harpoons for PCB 2.40mm	H Metal brackets + harpoons for PCB 2.40mm	H Metal brackets + harpoons for PCB 2.40mm

SCALE: 4

www.fciconnect.com		surface ISO 1302	tolerance std ISO 406 ISO 1101	projection mm
		TOLERANCES UNLESS OTHERWISE SPECIFIED		
Dr M PESSON	2005-10-11	ANGULAR	0.X ±0.3	size A2
Eng P LEGARE	2005-10-11	LINEAR	0.XX ±0.1	Scale 2:1
Chr		0° ±2°	0.XXX ±0.05	ECN LS07-0273
Appr		Product family		Spec ref
FCI		SUB MALE DW EUROPE foot print full power right angled solder		Rev. C
catalog no		CUSTOMER		sheet 2 of 5

Copyright FCI.

A  
B  
C

PART NUMBER	AMPS	MATINGS/ UNMATINGS	FRONT ACCESSORY	PCB ACCESSORIES
D*xWxP500A30LF	30	200	without	without
D*LxWxP500A30LF	30	200	insert M3	without
D*OxWxP500A30LF	30	200	insert UNC 4.40	without
D*VxWxP500A30LF	30	200	female screw UNC 4.40	without
D*xWxP500H30LF	30	200	without	metal bracket+harpoon PCB 2.40mm
D*LxWxP500H30LF	30	200	insert M3	metal bracket+harpoon PCB 2.40mm
D*OxWxP500H30LF	30	200	insert UNC 4.40	metal bracket+harpoon PCB 2.40mm
D*VxWxP500H30LF	30	200	female screw UNC 4.40	metal bracket+harpoon PCB 2.40mm
D*xWxP500G30LF	30	200	without	metal bracket+harpoon PCB 1.60mm
D*LxWxP500G30LF	30	200	insert M3	metal bracket+harpoon PCB 1.60mm
D*OxWxP500G30LF	30	200	insert UNC 4.40	metal bracket+harpoon PCB 1.60mm
D*VxWxP500G30LF	30	200	female screw UNC 4.40	metal bracket+harpoon PCB 1.60mm
D*xWxP500M30LF	30	200	without	metal bracket
D*LxWxP500M30LF	30	200	insert M3	metal bracket
D*OxWxP500M30LF	30	200	insert UNC 4.40	metal bracket
D*VxWxP500M30LF	30	200	female screw UNC 4.40	metal bracket

shell size #  
E  
A  
A  
B  
C

LAYOUTS  
xWx  
2V2  
3V3  
3W3  
5W5  
8W8

PART NUMBER	AMPS	MATINGS/ UNMATINGS	FRONT ACCESSORY	PCB ACCESSORIES
D*xWxP543A30LF	30	500	without	without
D*LxWxP543A30LF	30	500	insert M3	without
D*OxWxP543A30LF	30	500	insert UNC 4.40	without
D*VxWxP543A30LF	30	500	female screw UNC 4.40	without
D*xWxP543H30LF	30	500	without	metal bracket+harpoon PCB 2.40mm
D*LxWxP543H30LF	30	500	insert M3	metal bracket+harpoon PCB 2.40mm
D*OxWxP543H30LF	30	500	insert UNC 4.40	metal bracket+harpoon PCB 2.40mm
D*VxWxP543H30LF	30	500	female screw UNC 4.40	metal bracket+harpoon PCB 2.40mm
D*xWxP543G30LF	30	500	without	metal bracket+harpoon PCB 1.60mm
D*LxWxP543G30LF	30	500	insert M3	metal bracket+harpoon PCB 1.60mm
D*OxWxP543G30LF	30	500	insert UNC 4.40	metal bracket+harpoon PCB 1.60mm
D*VxWxP543G30LF	30	500	female screw UNC 4.40	metal bracket+harpoon PCB 1.60mm
D*xWxP543M30LF	30	500	without	metal bracket
D*LxWxP543M30LF	30	500	insert M3	metal bracket
D*OxWxP543M30LF	30	500	insert UNC 4.40	metal bracket
D*VxWxP543M30LF	30	500	female screw UNC 4.40	metal bracket

A  
B  
C

PART NUMBER	AMPS	MATINGS/ UNMATINGS	FRONT ACCESSORY	PCB ACCESSORIES
D*xWxP500A40LF	40	200	without	without
D*LxWxP500A40LF	40	200	insert M3	without
D*OxWxP500A40LF	40	200	insert UNC 4.40	without
D*VxWxP500A40LF	40	200	female screw UNC 4.40	without
D*xWxP500H40LF	40	200	without	metal bracket+harpoon PCB 2.40mm
D*LxWxP500H40LF	40	200	insert M3	metal bracket+harpoon PCB 2.40mm
D*OxWxP500H40LF	40	200	insert UNC 4.40	metal bracket+harpoon PCB 2.40mm
D*VxWxP500H40LF	40	200	female screw UNC 4.40	metal bracket+harpoon PCB 2.40mm
D*xWxP500G40LF	40	200	without	metal bracket+harpoon PCB 1.60mm
D*LxWxP500G40LF	40	200	insert M3	metal bracket+harpoon PCB 1.60mm
D*OxWxP500G40LF	40	200	insert UNC 4.40	metal bracket+harpoon PCB 1.60mm
D*VxWxP500G40LF	40	200	female screw UNC 4.40	metal bracket+harpoon PCB 1.60mm
D*xWxP500M40LF	40	200	without	metal bracket
D*LxWxP500M40LF	40	200	insert M3	metal bracket
D*OxWxP500M40LF	40	200	insert UNC 4.40	metal bracket
D*VxWxP500M40LF	40	200	female screw UNC 4.40	metal bracket

PART NUMBER	AMPS	MATINGS/ UNMATINGS	FRONT ACCESSORY	PCB ACCESSORIES
D*xWxP543A40LF	40	500	without	without
D*LxWxP543A40LF	40	500	insert M3	without
D*OxWxP543A40LF	40	500	insert UNC 4.40	without
D*VxWxP543A40LF	40	500	female screw UNC 4.40	without
D*xWxP543H40LF	40	500	without	metal bracket+harpoon PCB 2.40mm
D*LxWxP543H40LF	40	500	insert M3	metal bracket+harpoon PCB 2.40mm
D*OxWxP543H40LF	40	500	insert UNC 4.40	metal bracket+harpoon PCB 2.40mm
D*VxWxP543H40LF	40	500	female screw UNC 4.40	metal bracket+harpoon PCB 2.40mm
D*xWxP543G40LF	40	500	without	metal bracket+harpoon PCB 1.60mm
D*LxWxP543G40LF	40	500	insert M3	metal bracket+harpoon PCB 1.60mm
D*OxWxP543G40LF	40	500	insert UNC 4.40	metal bracket+harpoon PCB 1.60mm
D*VxWxP543G40LF	40	500	female screw UNC 4.40	metal bracket+harpoon PCB 1.60mm
D*xWxP543M40LF	40	500	without	metal bracket
D*LxWxP543M40LF	40	500	insert M3	metal bracket
D*OxWxP543M40LF	40	500	insert UNC 4.40	metal bracket
D*VxWxP543M40LF	40	500	female screw UNC 4.40	metal bracket

D  
E

Copyright FCI.

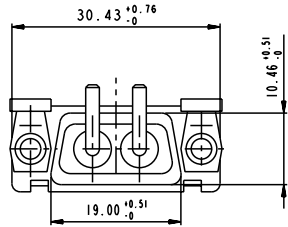
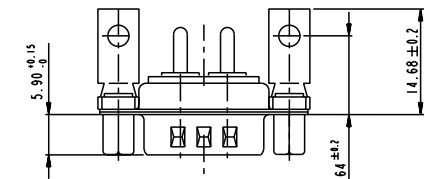
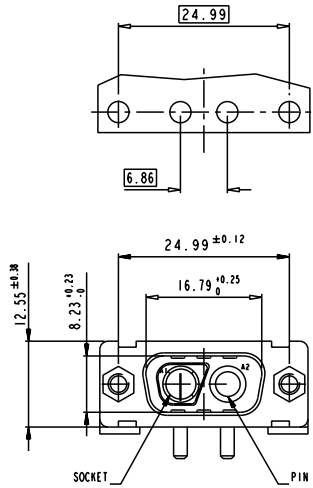


F

www.fciconnect.com		surface ISO 1302	tolerance std ISO 406 ISO 1101	projection ISO 1101	mm
		TOLERANCES UNLESS OTHERWISE SPECIFIED			
Dr M PESSON	2005-10-11	ANGULAR	0.X ±0.3	size A2	Scale 2:1
Eng P LEGARE	2005-10-11	LINEAR	0.XX ±0.1	ECN	LS07-0273
Chr		0° ±2°	0.XXX ±0.05	Product family	Spec ref
Appr		Product family			
SUB MALE DW EUROPE foot print full power right angled solder			ang no	C01-8639-2312	Rev. C
catalog no			CUSTOMER		sheet 3 of 5

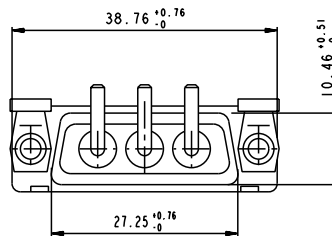
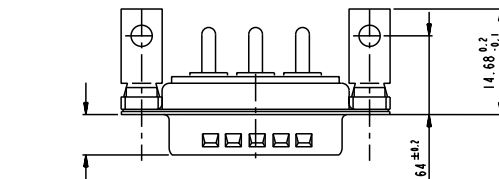
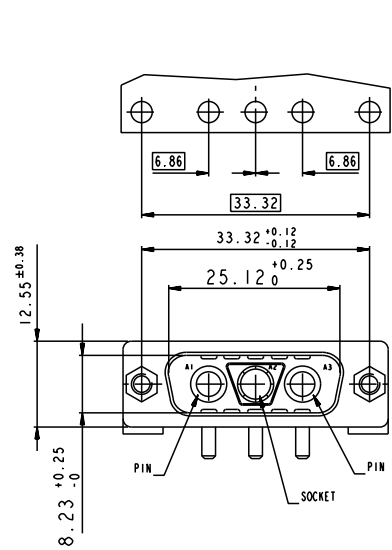
2V2

LAYOUT AND CONNECTOR DIMENSIONS  
For PCB hole diameters see table 1 sheet 1

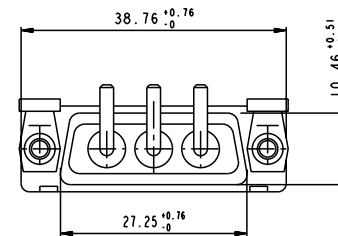
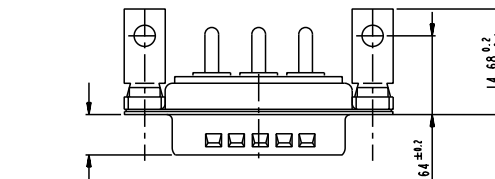
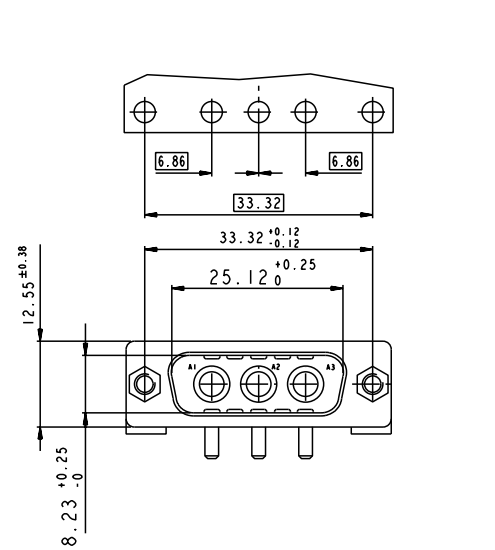


3V3

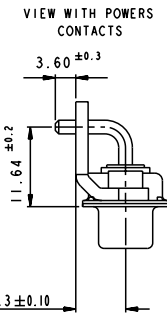
LAYOUT AND CONNECTOR DIMENSIONS  
For PCB hole diameters see table 1 sheet 1



3W3



SIDE VIEW FOR ALL LAYOUTS



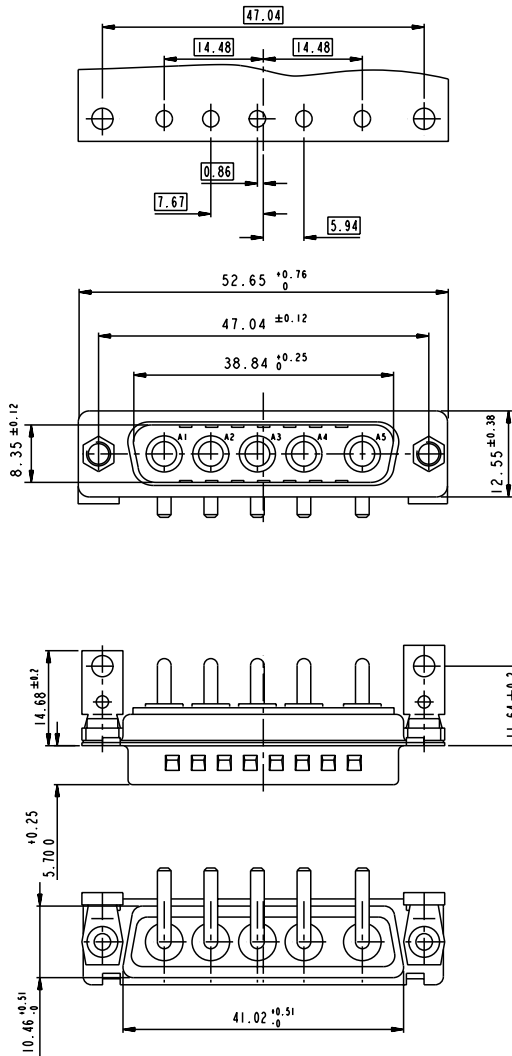
Copyright FCJ.

www.fciconnect.com		surface	ISO 1302	tolerance std	ISO 406 ISO 1101	projection	mm
		TOLERANCES UNLESS OTHERWISE SPECIFIED					
Dr	M PESSON	2005-10-11	ANGULAR	0.X	±0.3	size	A2
Eng	P LEGARE	2005-10-11	LINEAR	0.XX	±0.1	Scale	2:1
Chr			0° ±2°	0.XXX	±0.05	ECN	LS07-0273
Appr						Spec ref	
Product family							
Title		SUB MALE DW EUROPE foot print		ang no		C01-8639-2312	
full power right angled solder		catalog no		CUSTOMER		sheet 4 of 5	
Rev.		C					

# 5W5

## LAYOUT AND CONNECTOR DIMENSIONS

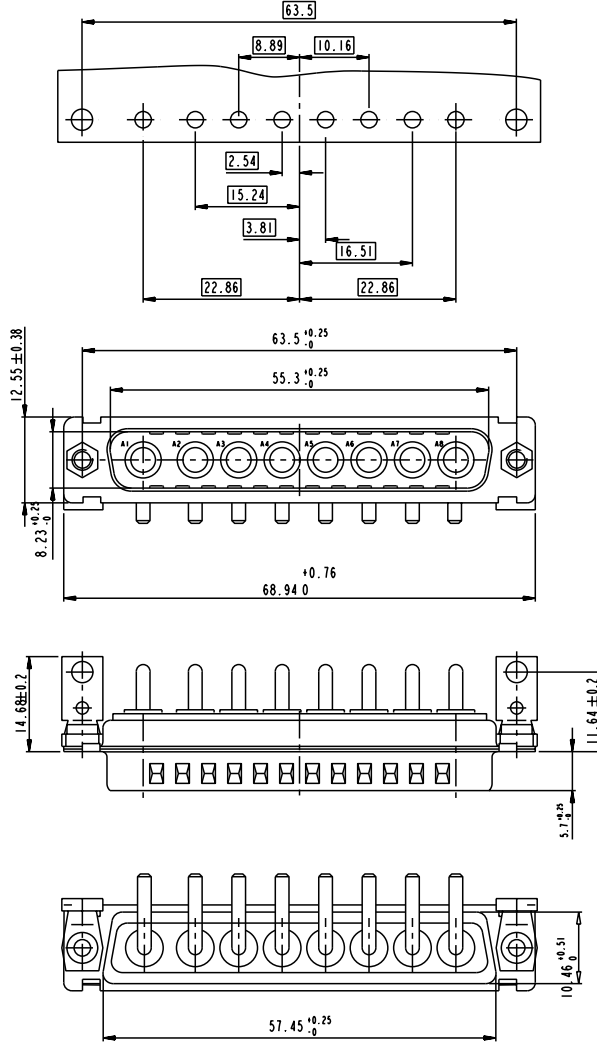
For PCB hole diameters see table 1 sheet 1



# 8W8

## LAYOUT AND CONNECTOR DIMENSIONS

For PCB hole diameters see table 1 sheet 1



Copyright FCI

www.fciconnect.com		surface -	tolerance std ISO 1302	projection	mm
		tolerance std ISO 406	ISO 1101		
		TOLERANCES UNLESS OTHERWISE SPECIFIED			
Dr M PESSON	2005-10-11	ANGULAR	0.X	±0.3	size A2
Eng P LEGARE	2005-10-11	LINEAR	0.XX	±0.1	Scale 2:1
Chr		0° ±2°	0.XXX	±0.05	ECN LS07-0273
Appr		Product family	- Spec ref		
FCI		SUB MALE DW EUROPE foot print		ang no	Rev.
		full power right angled solder		C01-8639-2312	C
		catalog no	CUSTOMER		sheet 5 of 5