



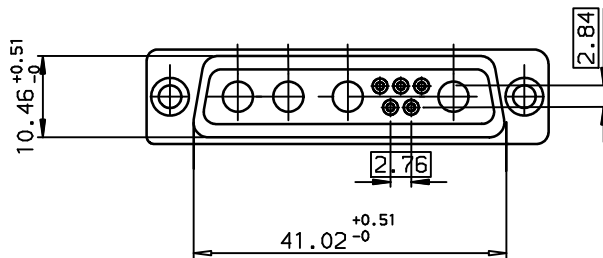
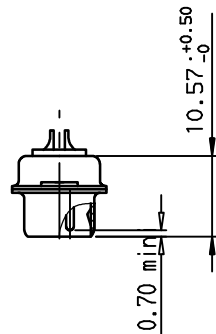
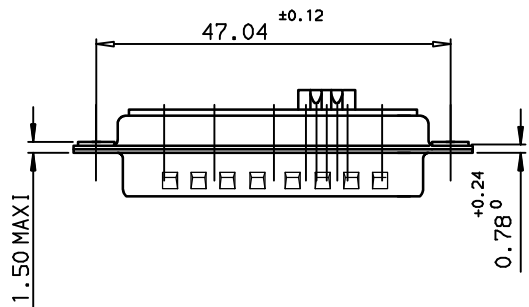
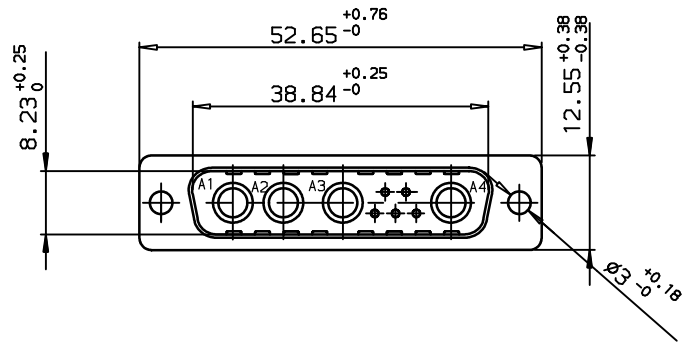
Copyright FCI.

A

B

C

D



TIN LEAD PART NUMBER

DB9W4PA00

PART NUMBER

LEAD FREE PART NUMBER

DB9W4PA00LF

PART NUMBER

GENERAL CHARACTERISTICS AND ROHS INFORMATIONS:
SEE DRAWING C01-8639-0003

European Views

rev	ecn no	dr	date
B	-	BAR	2003/10/17
C	LS05-005	MPE	2005/03/14
D	LS06-0095	LGO	2006/07/19
-	-	-	-
-	-	-	-
-	-	-	-
-	-	-	-

www.fciconnect.com		surface ISO 1302 ✓	tolerance std ISO 406 ISO 1101	projection mm
TOLERANCES UNLESS OTHERWISE SPECIFIED				
Dr	JARRY	1996/02/01	ANGULAR	LINEAR
Eng	PESSON	1996/02/01	0.x	±0.1
Chr	LEGARE	1996/02/01	0.xx	±0.1
Appr	LEGARE	1996/02/01	0.xxx	±0.1
Product family			D-SUB	Spec ref -
title PIN CONNECTOR FOR POWERS CONTACTS		catLog no -		Rev. D
size A3		Scale 1.5		ECN LS06-0095
Dwg no C01-8639-0465		CUSTOMER sheet 1 of 1		

REV F - 2006-04-17