

A

B

C

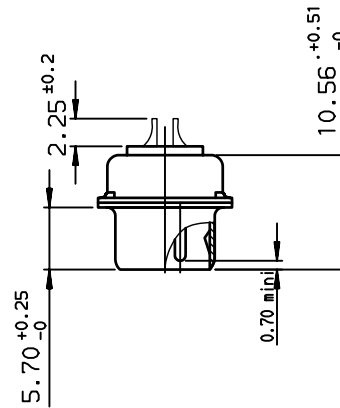
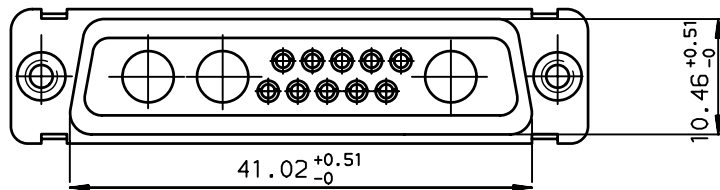
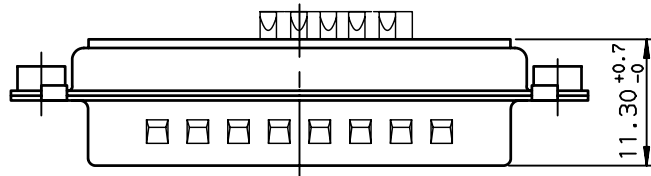
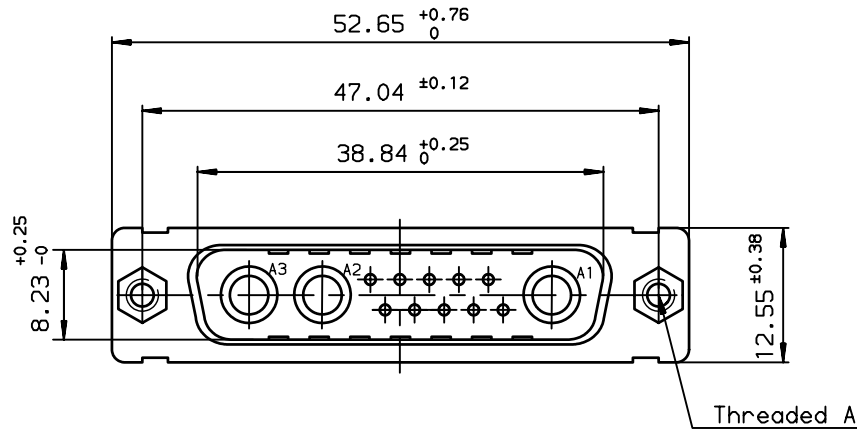
D

A

B

C

D



TIN LEAD PART NUMBER

DBL13W3PA00	UNC 4.40
DB013W3PA00	M3
PART NUMBER	Threaded A

LEAD FREE PART NUMBER

DBL13W3PA00LF	UNC 4.40
DB013W3PA00LF	M3
PART NUMBER	Threaded A

GENERAL CHARACTERISTICS AND ROHS INFORMATIONS:
SEE DRAWING C01-8639-0003

European Views

www.fciconnect.com		surface ISO 1302 ✓	tolerance std ISO 406 ISO 1101	projection mm
		TOLERANCES UNLESS OTHERWISE SPECIFIED		mm
Dr	JARRY	2001/01/23	0.X ±0.1	size A3
Eng	PESSON	2001/01/23	0.XX ±0.1	Scale 2
Chr	LEGARE	2001/01/23	0.XX ±2*	ECN LS06-0095
Appr	LEGARE	2001/01/23	0.XXX ±0.1	Product family D-SUB Spec ref -
FCI title		PIN CONNECTOR MARK 1 FOR POWERS CONTACTS .		dwg no C01-8639-1831
catalog no		-		Rev. D

rev	ecn no	dr	date
B	-	DEB	2003/10/01
C	LS05-005	MPE	2005/03/14
D	LS06-0095	LGO	2006/06/28
-	-	-	-
-	-	-	-
-	-	-	-



Copyright FCI.