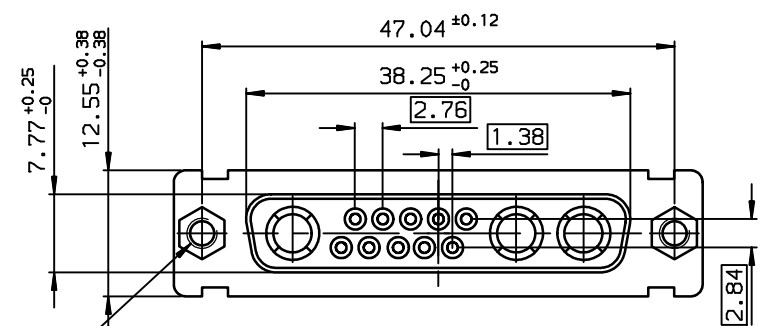
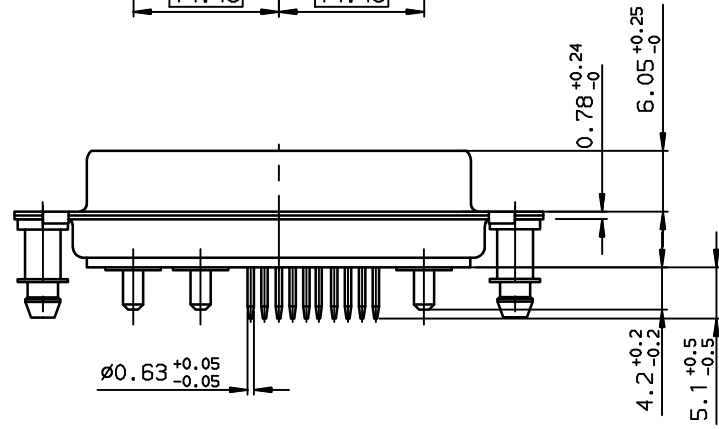
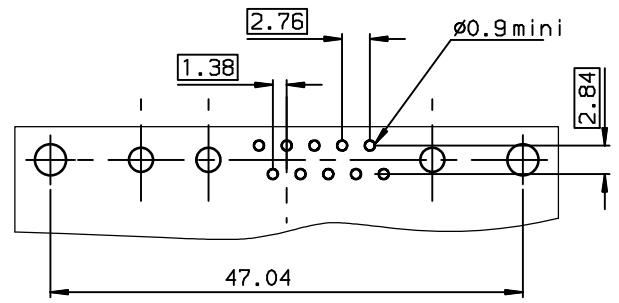


LAYOUT DIMENSIONS (after plating)
CONNECTOR SIDE VIEW



TIN-LEAD PART NUMBER

DBL13W3S300G30	M3
DB013W3S300G30	UNC 4.40
DBL13W3S300G40	M3
DB013W3S300G40	UNC 4.40
DBL13W3S300H30	M3
DB013W3S300H30	UNC 4.40
DBL13W3S300H40	M3
DB013W3S300H40	UNC 4.40
PART NUMBER	Threaded A

LEAD FREE PART NUMBER

DBL13W3S300G30LF	M3
DB013W3S300G30LF	UNC 4.40
DBL13W3S300G40LF	M3
DB013W3S300G40LF	UNC 4.40
DBL13W3S300H30LF	M3
DB013W3S300H30LF	UNC 4.40
DBL13W3S300H40LF	M3
DB013W3S300H40LF	UNC 4.40
PART NUMBER	Threaded A

GENERAL CHARACTERISTICS AND ROHS INFORMATIONS:
SEE DRAWING C01-8639-0000

rev	ecn no	dr	date
D	-	DEB	2003/10/21
E	LS05-001	MPE	2005/03/07
F	LS06-0095	LGO	2006/07/20
-	-	-	-
-	-	-	-
-	-	-	-
-	-	-	-

www.fciconnect.com		surface ISO 1302 ✓	tolerance std ISO 406 ISO 1101	projection mm
TOLERANCES UNLESS OTHERWISE SPECIFIED				
Dr	JARRY	1997/02/10	ANGULAR	LINEAR
Eng	PESSON	1997/02/10	0.x	±0.1
Chr	LEGARE	1997/02/10	0.xx	±0.1
Appr	LEGARE	1997/02/10	0.xxx	±0.1
Product family			D-SUB	Spec ref -
title SOCKET CONNECTOR WITH STRAIGHT CONTACT			size A3	Scale 1.5
catalog no			ECN L506-0095	
part no			C01-8639-1503	
customer			sheet 1 of 1	