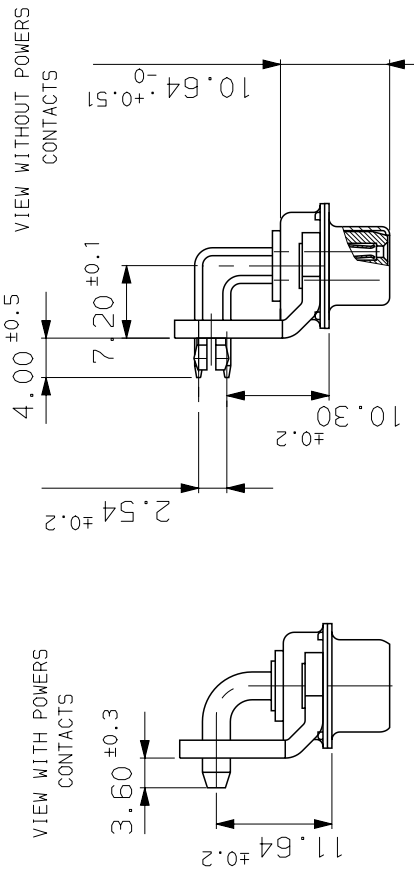
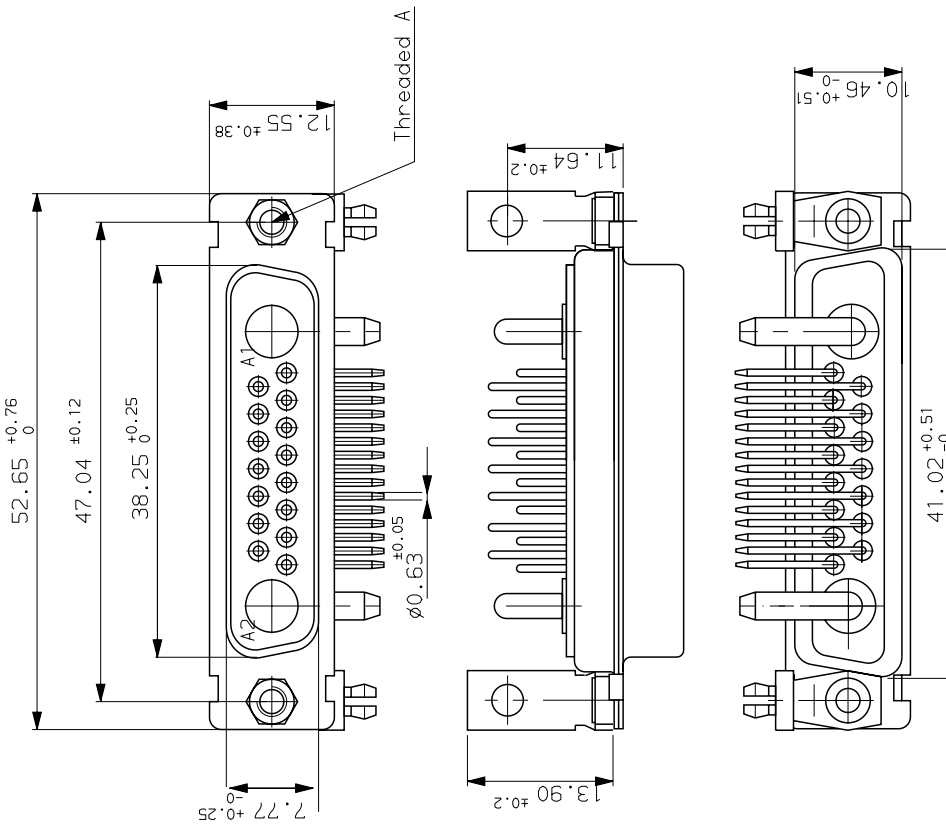


GENERAL CHARACTERISTICS : SEE DRAWING C01-8639-0000



DB017W25500G40	UNC 4.40
DBL17W25500G40	M3
PART NUMBER	Threaded A

LAYOUT DIMENSIONS (after plating)
CONNECTOR SIDE VIEW

b	01/10/03	update
ISS DATE	Latest modification by : DEBRAY.T	MOD N°
Designed by: JARRY	date:12/01/01	Type of drawing: CLIENT
TITLE : SOCKET CONNECTOR 17W2 FOR POWER CONTACTS 40A		
SCALE: 2.0	SHEET 01	
	FRAMATOME CONNECTORS FRANCE Rue Louis Bréguet - Bp 05 72024 LE MANS Cedex Tel. 33 (16) 43.84.08.43	
FORMAT A3	SOURIAU DRG N° C01-8639-1821	PROJECT M94D001

This document is the property of FRAMATOME CONNECTORS FRANCE. It must not be reproduced or communicated without permission in writing from the owners.