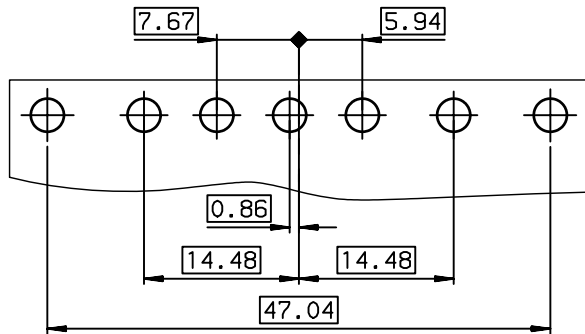


LAYOUT DIMENSIONS (after plating)  
CONNECTOR SIDE VIEW



DBL5W5S300A40	M3
DB05W5S343A40	UNC 4.40
DBL5W5S343A40	M3
PART NUMBER	Threaded A

GENERAL CHARACTERISTICS AND ROHS INFORMATIONS:  
SEE DRAWING C01-8639-0001

European Views

www.fciconnect.com		surface ISO 1302 <input checked="" type="checkbox"/>	tolerance std ISO 406 ISO 1101	projection 	mm
TOLERANCES UNLESS OTHERWISE SPECIFIED					
Dr	JOUBERT	2001/12/11	ANGULAR	0.X ±0.1	size A3
Eng	PESSON	2001/12/11	LINEAR	0.XX ±0.1	Scale 2
Chr	LEGARE	2001/12/11	0.XX' ±2'	0.XXX ±0.1	ECN LS06-0095
Appr	LEGARE	2001/12/11	Product family	D-SUB	Spec ref -
		SOCKET CONNECTOR 5W5 WITH POWERS CONTACTS			title C01-8639-1928 Rev. F
catalog no		CUSTOMER			sheet 1 of 1

rev	ecn no	dr	date
C	-	BAR	2004/02/10
D	LS05-001	MPE	2005/03/09
E	LS05-0106	MPE	2005/11/22
F	LS06-0095	LGO	2006/06/29
-	-	-	-
-	-	-	-



Copyright FCI.