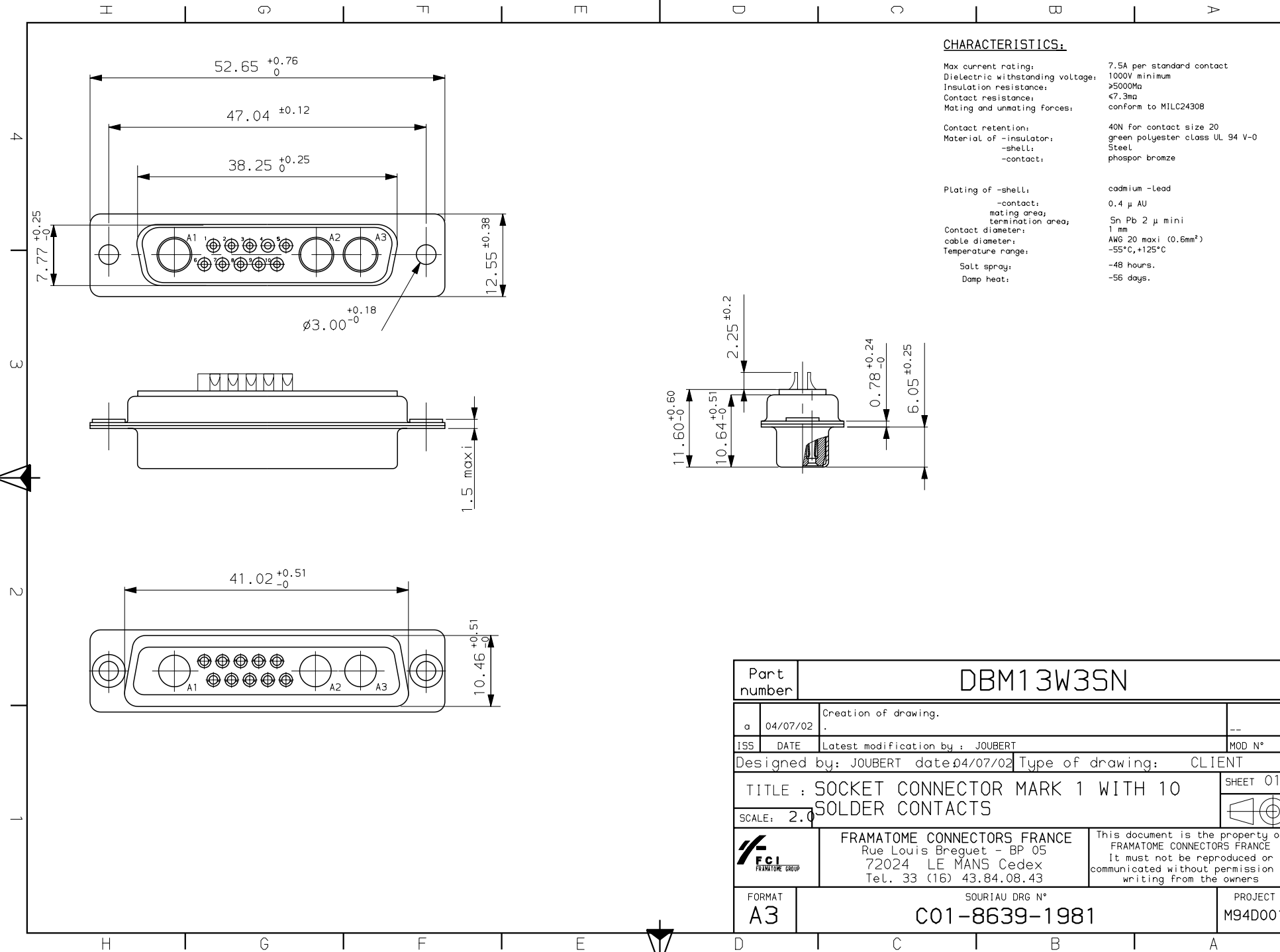


**CHARACTERISTICS:**

Max current rating: 7.5A per standard contact  
 Dielectric withstanding voltage: 1000V minimum  
 Insulation resistance: >5000Ma  
 Contact resistance: <7.3ma  
 Mating and unmating forces: conform to MILC24308

Contact retention: 40N for contact size 20  
 Material of -insulator: green polyester class UL 94 V-0  
 -shell: Steel  
 -contact: phosphor bronze

Plating of -shell: cadmium -lead  
 -contact: 0.4 μ AU  
 mating area, termination area: Sn Pb 2 μ mini  
 Contact diameter: 1 mm  
 cable diameter: AWG 20 maxi (0.6mm<sup>2</sup>)  
 Temperature range: -55°C, +125°C  
 Salt spray: -48 hours.  
 Damp heat: -56 days.



Part number		DBM13W3SN	
a	04/07/02	Creation of drawing.	--
ISS	DATE	Latest modification by : JOUBERT	MOD N°
Designed by: JOUBERT date 04/07/02		Type of drawing: CLIENT	
TITLE : SOCKET CONNECTOR MARK 1 WITH 10 SOLDER CONTACTS			SHEET 01
SCALE: 2.0			
		FRAMATOME CONNECTORS FRANCE Rue Louis Breguet - BP 05 72024 LE MANS Cedex Tel. 33 (16) 43.84.08.43	This document is the property of FRAMATOME CONNECTORS FRANCE. It must not be reproduced or communicated without permission in writing from the owners.
FORMAT	A3	SOURIAU DRG N°	PROJECT
		C01-8639-1981	M94D001