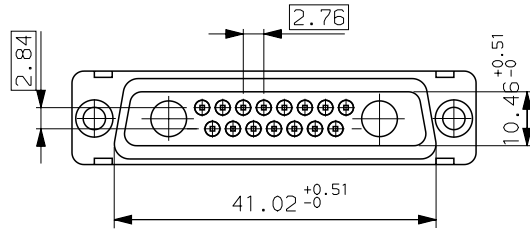
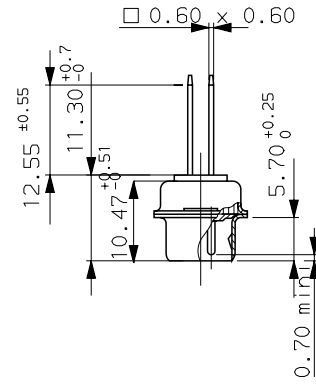
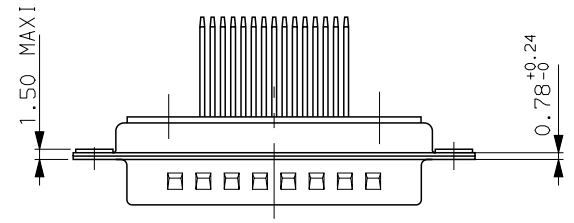
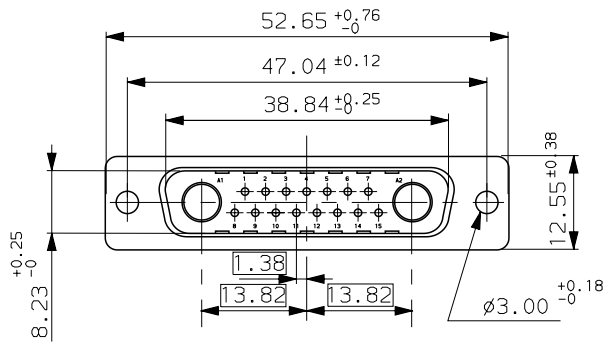


H G F E D C B A



ELECTRICAL DATA

-Current at AMB.	4A
-I max	7.5A
-Contact resistance	≤7.3 mΩ
-Insulation resistance	≥5000MΩ
-TEST VOLTAGE	
contact/contact	≥1000V
contact/ground	≥1200V

MECHANICAL DATA

-Contact force	≥0.14N
-Retention force	≥40N
-Insertion force	according to DIN41652 Part 2
-Withdrawal force	according to DIN41652 Part 2
-Mechanical endurance	≥ 500 matings / unmatings
-Material shell	steel, cadmium plated
-Material insulator	glass filled thermoplastic UL94V0
-Material contacts	pin:brass;socket:brass
-Finish on contact area	gold over nickel
-Finish on termination end	bright tin-lead over nickel
-Solderability	according to DIN 41640 Part 70, test 12a
-Schock	according to DIN41640 Part 14, test 6c, 50g
-Vibration	according to DIN41640 Part 15, test 6d, 20g 10 to 2000Hz: discontinuity ≤1µs

ENVIRONMENTAL DATA

-Climatic category	-55°/ +125°/56 j
-Corrosion	salt spray: 48h

Part number : DBM17W2P400N

a	19/08/98	Drawing creation.	--
ISS	DATE	Latest modification by : BOUTTIER	MOD N°
Designed by: BOUTTIER date: 19/08/98		Type of drawing: CLIENT	
TITLE : PIN CONNECTOR FOR POWERS CONTACTS AND WW 3 LEVELS			SHEET 01
SCALE: 1:1			
FORMAT A3	FRAMATOME CONNECTORS FRANCE Rue Louis Breguet - BP 05 72024 LE MANS Cedex Tel. 33 (16) 43.84.08.43	This document is the property of FRAMATOME CONNECTORS FRANCE. It must not be reproduced or communicated without permission in writing from the owners.	
	FORMAT A3	SOURIAU DRG N° C01-8639-1603	PROJECT M94D001

4
3
2
1

H G F E D C B A