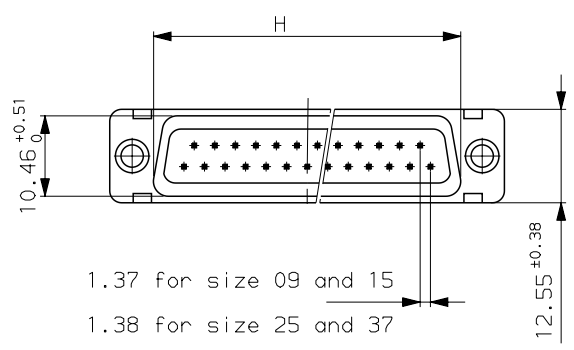
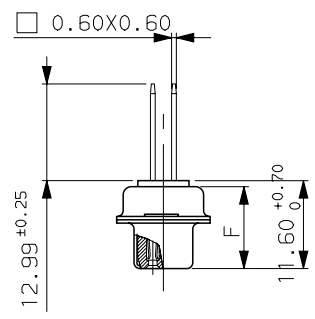
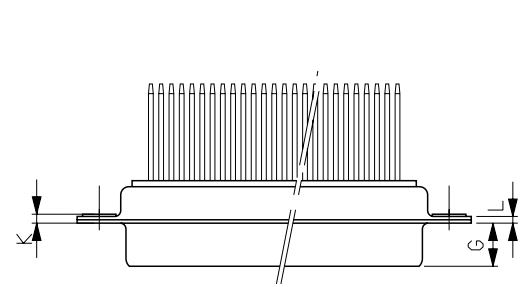
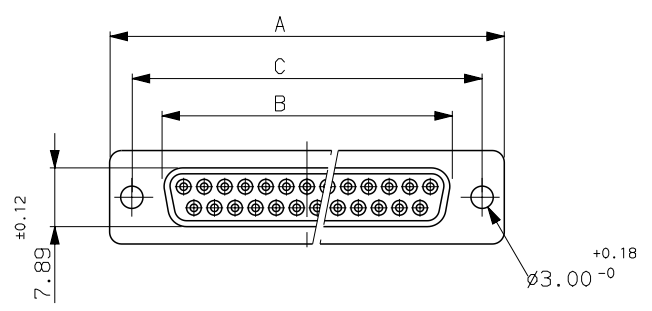


H G F E D C B A



**ELECTRICAL DATA**

-I max	7.5 A
-Contact resistance	≤7.3 mΩ
-Insulation resistance	>5000MΩ
-TEST VOLTAGE	
contact/contact	>1000V
contact/ground	>1200V

**MECHANICAL DATA**

-Contact force	>0.20N
-Retention force	>40N
-Insertion force	according to DIN41652 Part 2
-Withdrawal force	according to DIN41652 Part 2
-Mechanical endurance	> 200
-Material shell	steel cadmium plated.
-Material insulator	glass filled thermoplastic UL94V0
-Material contacts	Socket; Phosphor bronze
-Finish on contact area	0.40 μ gold over nickel
-Finish on termination end	Tin over nickel

**ENVIRONMENTAL DATA**

-Climatic category	-55/125/56
-Corrosion	salt spray:48h

Dimensions are in millimeters

Shell size	Number of contacts	A <sup>+0.76 0</sup>	B <sup>+0.25 0</sup>	C <sup>+0.12</sup>	F <sup>+0.51 0</sup>	G <sup>+0.25 0</sup>	H <sup>+0.51 0</sup>	L <sup>+0.22</sup>	K <sup>Maxi</sup>	PART NUMBER
E	09	30.43	16.21	24.99	10.64	6.05	19.02	0.80	1.50	DEM09S400
A	15	38.76	24.54	33.32	10.64	6.05	27.25	0.80	1.50	DAM15S400
B	25	52.65	38.25	47.04	10.64	6.05	41.02	0.80	1.50	DBM25S400
C	37	68.94	54.71	63.50	10.64	6.05	57.45	0.80	1.50	DCM37S400

Part number	SEE TABLE		
a	07/01/00	Creation of drawing .	--
ISS	DATE	Latest modification by : JARRY	MOD N°
Designed by: JARRY		date:07/01/00	Type of drawing: CUSTOMER
TITLE : SOCKETS CONNECTORS D SUBMINIATURE			SHEET 1/1
SCALE: 1.5			
	FRAMATOME CONNECTORS FRANCE Rue Louis Breguet - BP 05 72024 LE MANS Cedex Tel. 33 (16) 43.84.08.43		This document is the property of FRAMATOME CONNECTORS FRANCE. It must not be reproduced or communicated without permission in writing from the owners.
FORMAT A3	SOURIAU DRG N° C01-8637-1528		PROJECT M94D001

H G F E D C B A