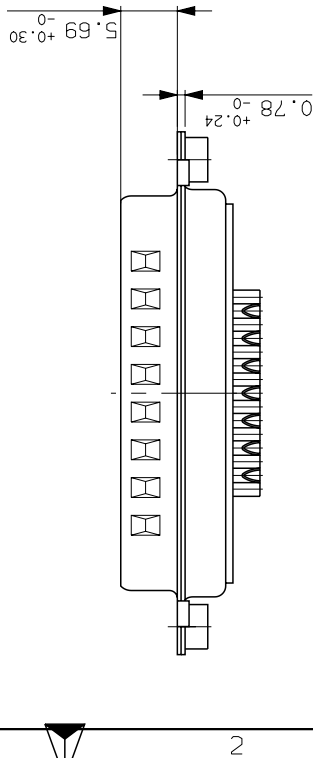
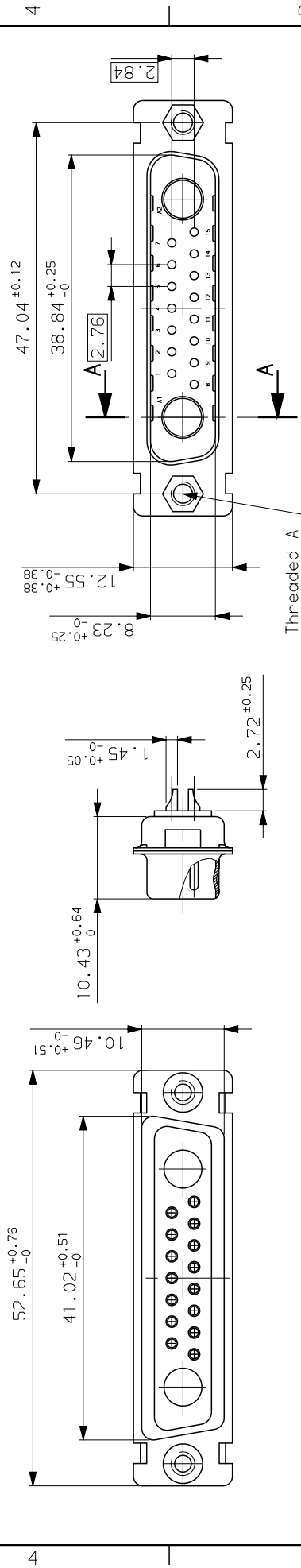


GENERAL CHARACTERISTICS : SEE DRAWING C01-8639-0000



DBL17W2PA00	M3
DB017W2PA00	UNC 4.40
PART NUMBER	Threaded A

b	01/10/03	update	--
ISS DATE	Latest modification by : DEBRAY.T		MOD N°
Designed by: JARRY date:24/01/01 Type of drawing: CLIENT			
TITLE : PIN CONNECTOR FOR POWERS CONTACTS			
SCALE: 2	SHEET 1/1		
	FRAMATOME CONNECTORS FRANCE		This document is the property of FRAMATOME CONNECTORS FRANCE It must not be reproduced or communicated without permission in writing from the owners
	Rue Louis Breguet - Bp 05 72024 LE MANS Cedex Tel. 33 (16) 43.84.08.43		
	SOURIAU DRG N°		PROJECT
FORMAT A3	C01-8639-1833		M94D001

