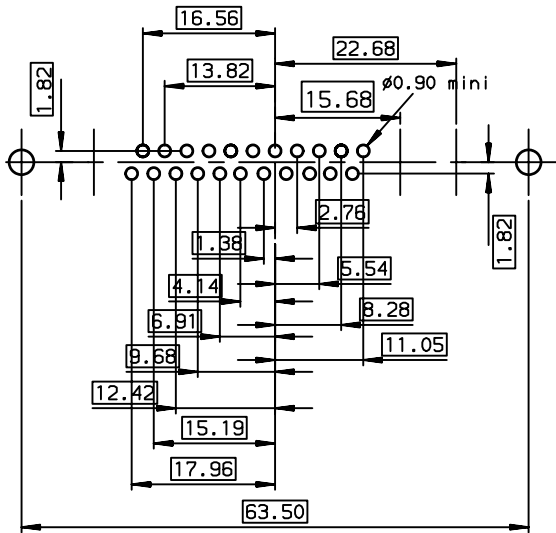


DC25W3S300A00LF
PART NUMBER

LAYOUT DIMENSIONS (after plating)
CONNECTOR SIDE VIEW



GENERAL CHARACTERISTICS AND ROHS INFORMATIONS:
SEE DRAWING C01-8639-0000

European Views

www.fciconnect.com		surface ISO 1302 ✓	tolerance std ISO 406 ISO 1101	projection mm	size A3	Scale 1.5
TOLERANCES UNLESS OTHERWISE SPECIFIED				ANGULAR	0.X ±0.1	ECN LS06-0095
				LINEAR	0.XX ±0.1	Spec ref -
				0.XX' ±2'	0.XXX ±0.1	
Dr	JARRY	2005/12/01	Product family D-SUB			
Eng	PESSON	2005/12/01	Spec ref -			
Chr	LEGARE	2005/12/01				
Appr	LEGARE	2005/12/01				
FCI title		SOCKET CONNECTORS WITH STRAIGHT CONTACTS		dwg no		Rev.
catalog no		-		C01-8639-2268		B
				CUSTOMER	sheet 1 of 1	

rev	ecn no	dr	date
A	LS05-0106	MPE	2005/12/01
B	LS06-0095	LGO	2006/06/17
-	-	-	-
-	-	-	-
-	-	-	-
-	-	-	-

Copyright FCI. FCI