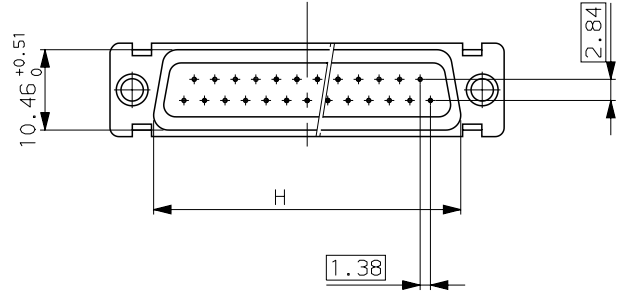
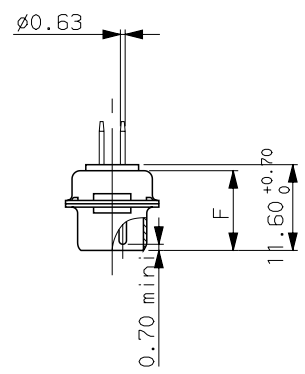
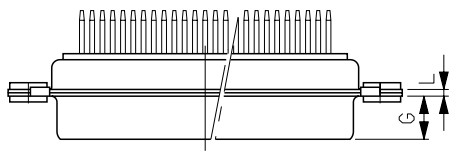
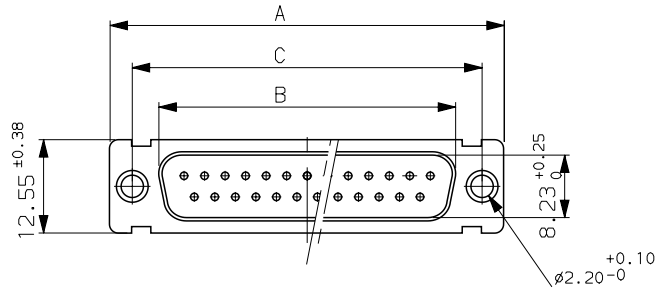


H G F E D C B A



ELECTRICAL DATA

-I max	7.5A
-Contact resistance	<7.3 mΩ
-Insulation resistance	>5000MΩ
-TEST VOLTAGE	
contact/contact	>1000V
contact/ground	>1200V

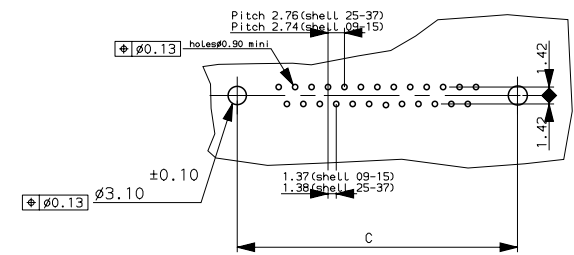
MECHANICAL DATA

-Contact force	>0.14N
-Retention force	>40N
-Insertion force	according to DIN41652 Part 2
-Withdrawal force	according to DIN41652 Part 2
-Mechanical endurance	:500 matings / unmatings
-Material shell	steel ,brigt cadmium
-Material insulator	glass filled thermoplastic UL94V0
-Material contacts	pin:brass;socket:brass
-Finish on contact area	0.4 μ gold over nickel
-Finish on termination end	bright tin-lead over nickel
-Solderability	according to DIN 41640 Part 70, test 12a
-Schock	according to DIN41640 Part 14, test 6c, 50g
-Vibration	according to DIN41640 Part 15, test 6d, 20g 10 to 2000Hz: discontinuity<1μs

ENVIRONMENTAL DATA

-Climatic category	-55° / +125°/56
-Corrosion	salt spray: 48h

PC card drilling dimensions(after plating)
(thickness 1.60±0.20mm)



Dimensions are in millimeters

Shell size	Number of contacts	A ^{+0.76} ₀	B ^{+0.25} ₀	C ±0.12	F ^{+0.51} ₀	G	H ^{+0.51} ₀	K _{Maxi}	L ^{+0.22} ₀	Part number
E	09	30.43	16.79	24.99	10.47	5.90 ^{+0.15} ₀	19.02	1.50	0.80	DEMF09P300
A	15	38.76	25.12	33.32	10.47	5.90 ^{+0.15} ₀	27.25	1.50	0.80	DAMF15P300
B	25	52.65	38.84	47.04	10.43	5.70 ^{+0.25} ₀	41.02	1.50	0.80	DBMF25P300
C	37	68.94	55.30	63.50	10.56	5.70 ^{+0.25} ₀	57.45	1.50	1.00	DCMF37P300

a	27/03/02	Creation of drawing.	--
ISS	DATE	Latest modification by : JARRY	MOD N°
Designed by: JARRY		date 27/03/02	Type of drawing: CLIENT
TITLE : PIN CONNECTORS SUB D WITH STRAIGHT SPILLS.			SHEET 1/1
SCALE: 1.5			
	FRAMATOME CONNECTORS FRANCE Rue Louis Breguet - BP 05 72024 LE MANS Cedex Tel. 33 (16) 43.84.08.43		This document is the property of FRAMATOME CONNECTORS FRANCE It must not be reproduced or communicated without permission in writing from the owners
	FORMAT A3	SOURIAU DRG N° C01-8639-1952	PROJECT M94D001

H G F E D C B A