



Copyright FCI.

A

B

C

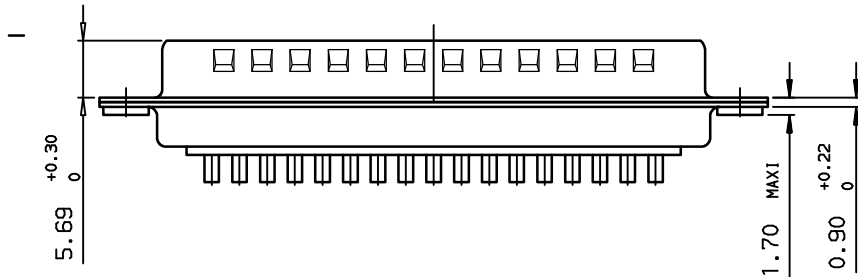
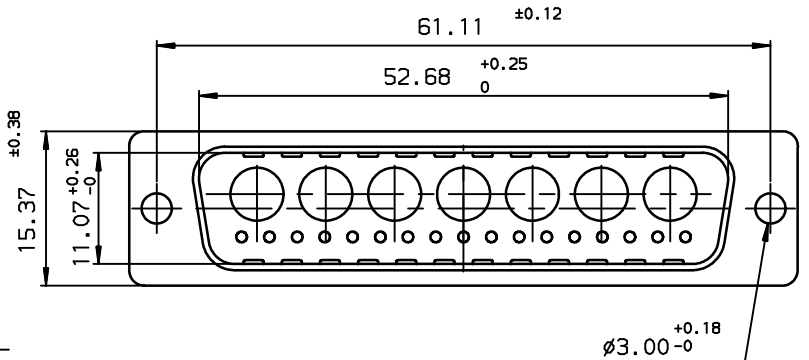
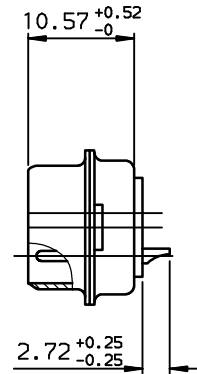
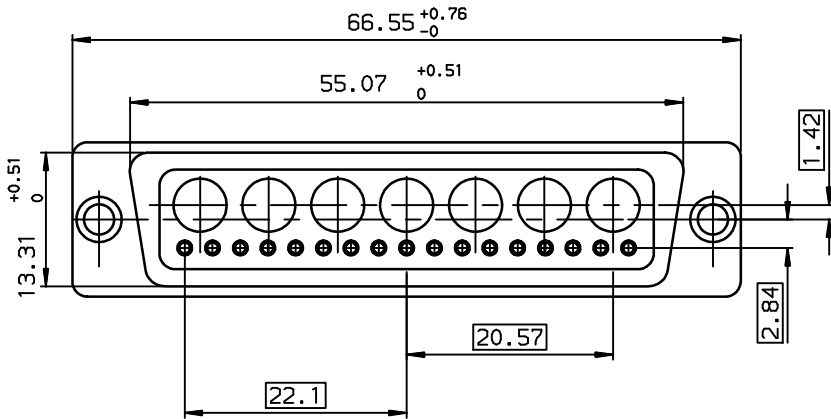
D

A

B

C

D



TIN LEAD PART NUMBER

DD24W7PA00
PART NUMBER

LEAD FREE PART NUMBER

DD24W7PA00LF
PART NUMBER

GENERAL CHARACTERISTICS AND ROHS INFORMATIONS:
SEE DRAWING C01-8639-0003

European Views

| | | | | | |
|---|--------|---|-----------------------------------|-------------------------|--------------|
| www.fciconnect.com | | surface ISO 1302 <input checked="" type="checkbox"/> | tolerance std ISO 406 ISO 1101 | projection | mm |
| TOLERANCES UNLESS OTHERWISE SPECIFIED | | | | | |
| Dr | JARRY | 1997/02/07 | ANGULAR | 0.X | ±0.1 |
| Eng | PESSON | 1997/02/07 | LINEAR | 0.XX | ±0.1 |
| Chr | LEGARE | 1997/02/07 | 0.XX' ±2' | 0.XXX | ±0.1 |
| Appr | LEGARE | 1997/02/07 | Product family | D-SUB | Spec ref - |
| title FCI PIN CONNECTOR WITH SOLDER CONTACT | | catag no | | chg no C01-8639-1501 | Rev. D |
| | | | | CUSTOMER | sheet 1 of 1 |

| rev | ecn no | dr | date |
|-----|-----------|-----|------------|
| B | - | DEB | 2003/10/21 |
| C | LS05-005 | MPE | 2005/03/16 |
| D | LS06-0095 | LGO | 2006/07/20 |
| - | - | - | - |
| - | - | - | - |
| - | - | - | - |
| - | - | - | - |

REV F - 2006-04-17