

A

B

C

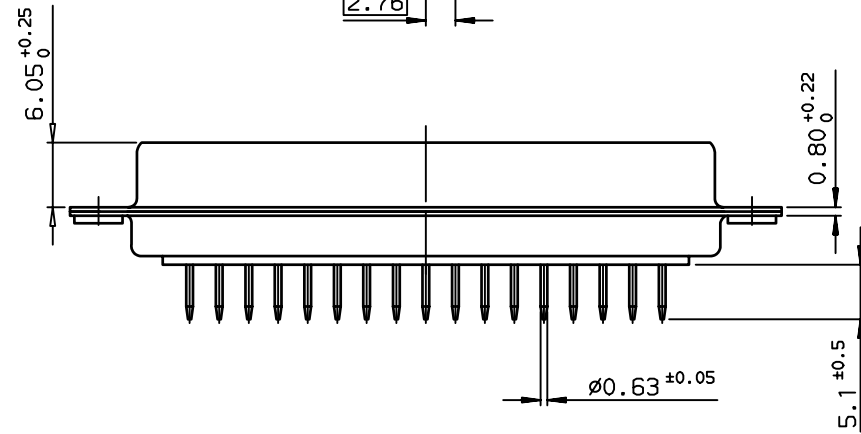
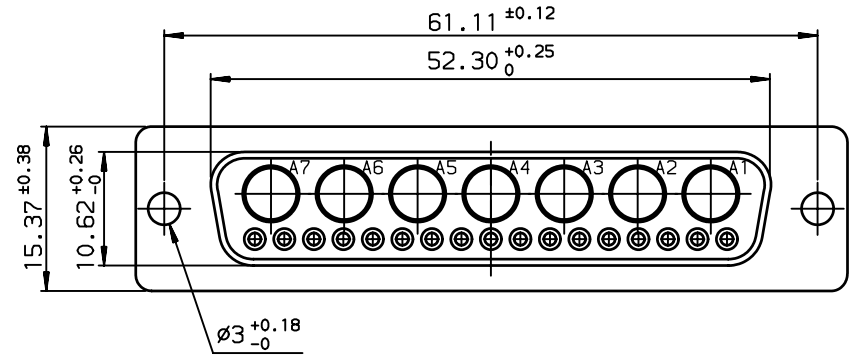
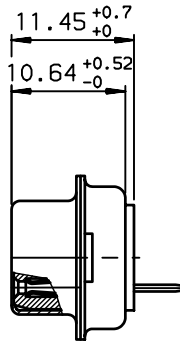
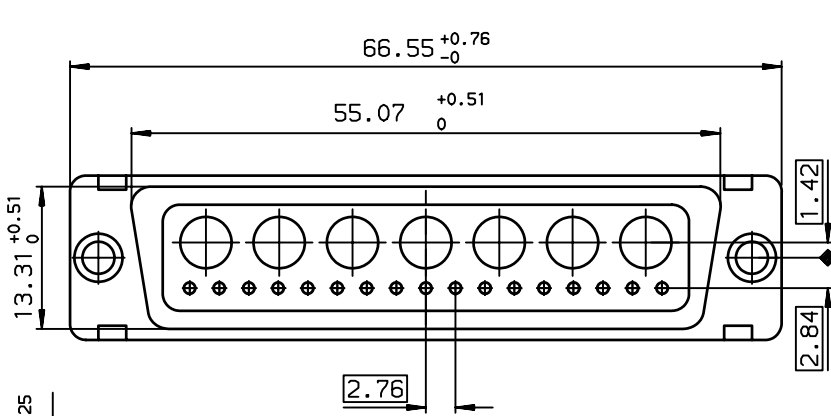
D

A

B

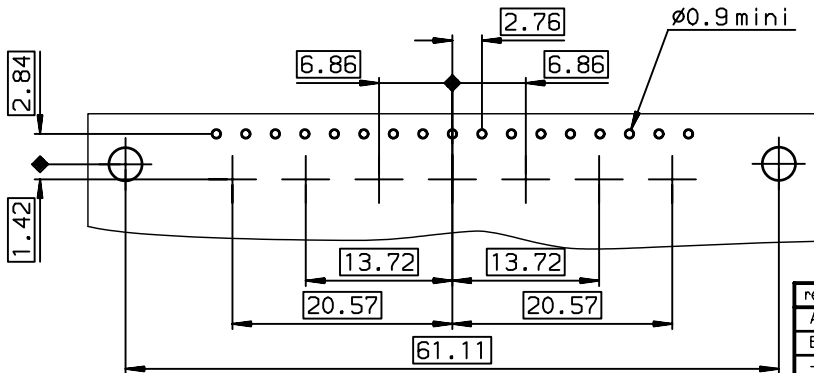
C

D



LAYOUT DIMENSIONS (after plating)  
CONNECTOR SIDE VIEW

DD24W7S300A00LF	200 Mating/Unmating
PART NUMBER	PERFORMANCE LEVELS



GENERAL CHARACTERISTICS AND ROHS INFORMATIONS:  
SEE DRAWING C01-8639-0000

European Views

www.fciconnect.com		surface ISO 1302 <input checked="" type="checkbox"/>	tolerance std ISO 406 ISO 1101	projection 	mm
TOLERANCES UNLESS OTHERWISE SPECIFIED					
Dr	PESSON	2005/12/01	ANGULAR	0.X ±0.1	size A3
Eng	PESSON	2005/12/01	LINEAR	0.XX ±0.1	Scale 2
Chr	LEGARE	2005/12/01	0.XX' ±2'	0.XXX ±0.1	ECN LS06-0095
Appr	LEGARE	2005/12/01	Product family	D-SUB	Spec ref -
		<b>SOCKET CONNECTOR 24W7 FOR</b> POWERS CONTACTS			Rev. <b>B</b>
catalog no		-			dwg no <b>C01-8639-2270</b>
CUSTOMER					sheet 1 of 1

rev	ecn no	dr	date
A	LS05-0106	MPE	2005/12/01
B	LS06-0095	LGO	2006/06/17
-	-	-	-
-	-	-	-
-	-	-	-
-	-	-	-



Copyright FCI.