



Copyright FCI.

A

B

C

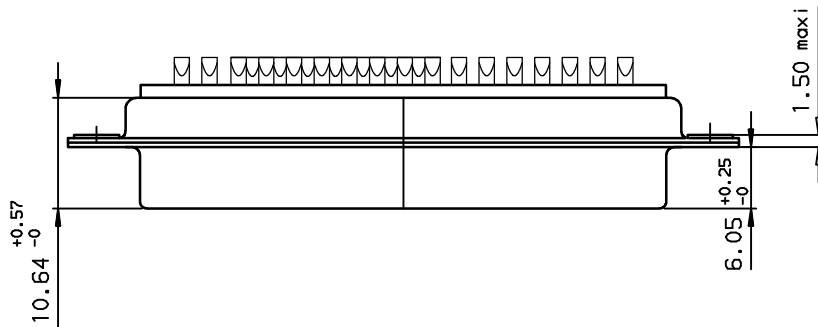
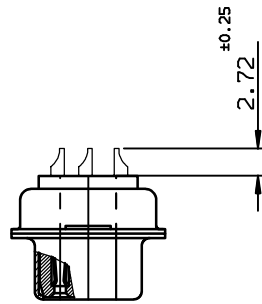
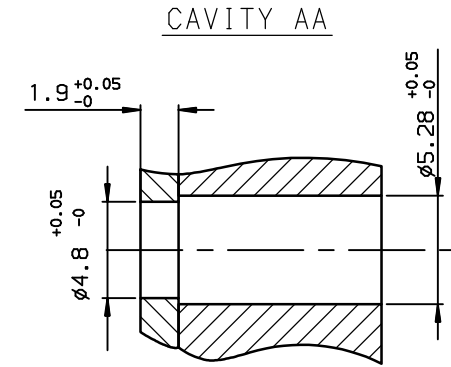
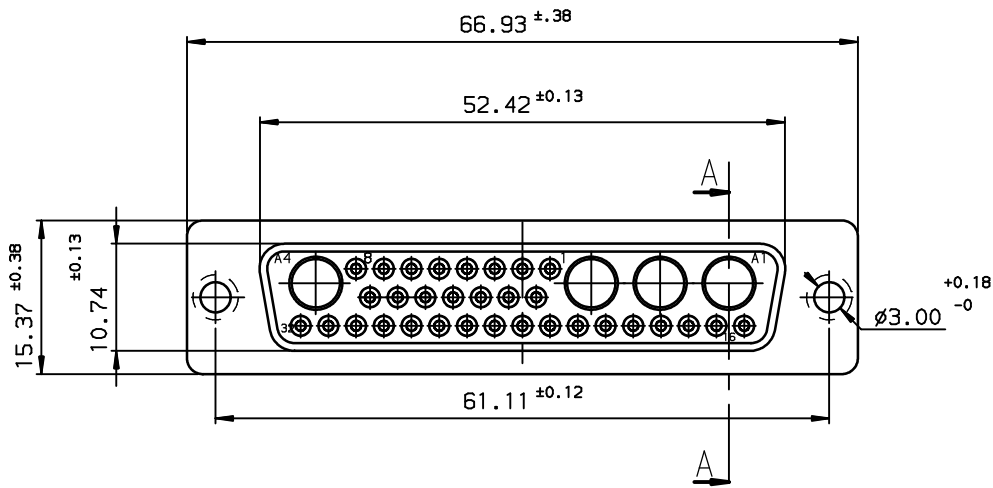
D

A

B

C

D



TIN LEAD PART NUMBER

DD36W4SA00
PART NUMBER

LEAD FREE PART NUMBER

DD36W4SA00LF
PART NUMBER

**GENERAL CHARACTERISTICS AND ROHS INFORMATIONS:**  
**SEE DRAWING C01-8639-0003**

European Views

rev	ecn no	dr	date
C	-	BAR	2003/11/03
D	LS05-005	MPE	2005/03/16
E	LS06-0095	LGO	2006/07/19
-	-	-	-
-	-	-	-
-	-	-	-
-	-	-	-

www.fciconnect.com		surface ISO 1302 ✓	tolerance std ISO 406 ISO 1101	projection mm
TOLERANCES UNLESS OTHERWISE SPECIFIED				
Dr	JARRY	1996/08/22	ANGULAR	size A3
Eng	PESSON	1996/08/22	LINEAR	
Chr	LEGARE	1996/08/22	0.xx' ±2'	
Appr	LEGARE	1996/08/22	0.xxx ±0.1	Scale 2
Product family			D-SUB	ECN L506-0095
Spec ref -				
			<b>FEMALE CONNECTOR 32 SOLDERS CTS</b> WITH 4 POWERS CTS	
catalog no			C01-8639-0623	
			Rev. E	
			CUSTOMER sheet 1 of 1	

REV F - 2006-04-17