



Copyright FCI.

A

B

C

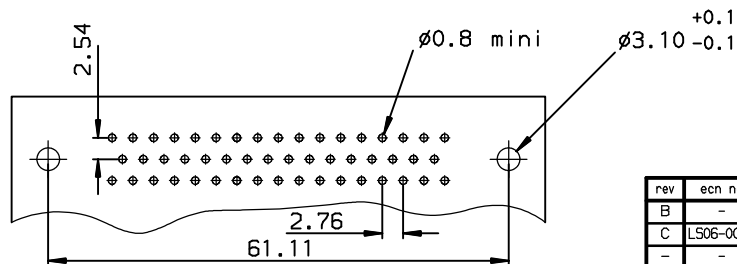
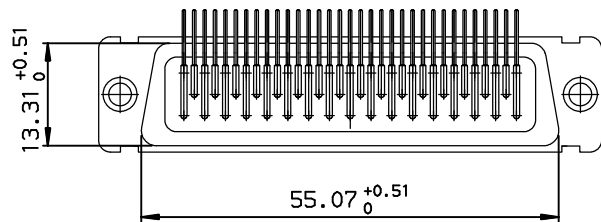
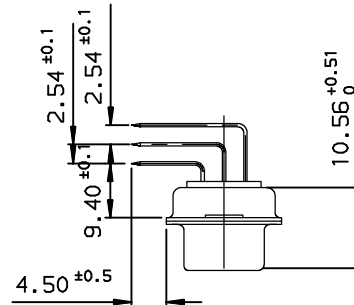
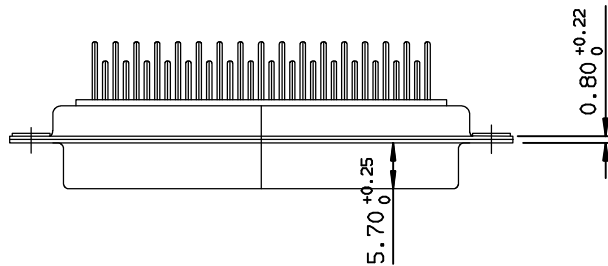
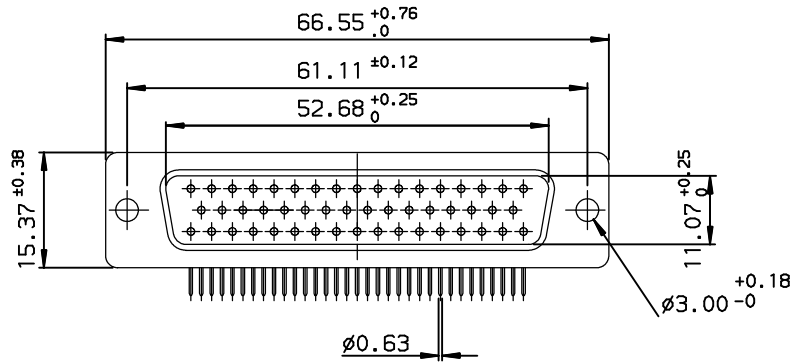
D

A

B

C

D



PC BOARD LAYOUT

ELECTRICAL DATA

-I max	7.5 A
-Contact resistance	<7.3 ma
-Insulation resistance	>5000 Ma
-TEST VOLTAGE	
contact/contact	>1000V
contact/ground	>1200V

MECHANICAL DATA

-Contact force	>0.14N
-Retention force	>40N
-Insertion force	according to DIN41652 Part 2
-Withdrawal force	according to DIN41652 Part 2
-Mechanical endurance	> 500 matings / unmatings
-Material shell	steel, cadmiun plated
-Material insulator	glass filled thermoplastic UL94V0
-Material contacts	pin:brass,socket:brass
-Finish on contact area	gold over nickel
-Finish on termination end	bright tin-lead over nickel
-Solderability	according to DIN 41640 Part 70, test 12a
-Shock	according to DIN41640 Part 14, test 6c,50g
-Vibration	according to DIN41640 Part 15, test 6d,20g 10 to 2000Hz:discontinuity<1µs

ENVIRONMENTAL DATA

-Climatic category	-55° / +125° / 56j
-Corrosion	salt spray: 48 h

Part number **DDM50P500C**

European Views

www.fciconnect.com		surface ISO 1302 <input checked="" type="checkbox"/>	tolerance std ISO 406 ISO 1101	projection 	mm
TOLERANCES UNLESS OTHERWISE SPECIFIED					
Dr	JOUBERT	1994/05/26	ANGULAR	0.x ±0.1	size A3
Eng	PESSON	1994/05/26	LINEAR	0.xx ±0.1	Scale 1.5
Chr	LEGARE	1994/05/26	0.xx* ±2*	0.xxx ±0.1	ECN L506-0097
Appr	LEGARE	1994/05/26	Product family	D-SUB	Spec ref -
		PIN CONNECTOR D SUB RIGHT ANGLED SPILL		C01-8637-0443	Rev. C
catalog no				CUSTOMER	sheet 1 of 1

rev	ecn no	dr	date
B	-	-	1998/06/09
C	L506-0097	LGO	2006/07/28
-	-	-	-
-	-	-	-
-	-	-	-
-	-	-	-