



Copyright FCI.

1 2 3 4

A

B

C

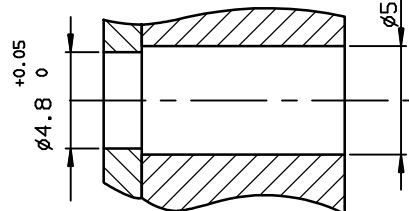
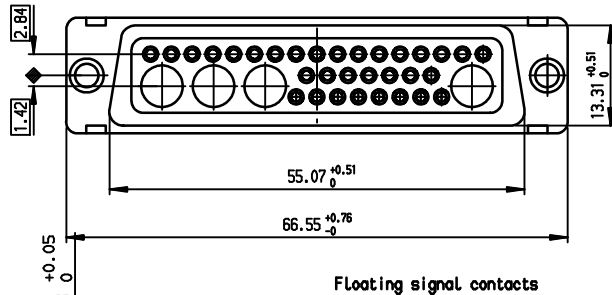
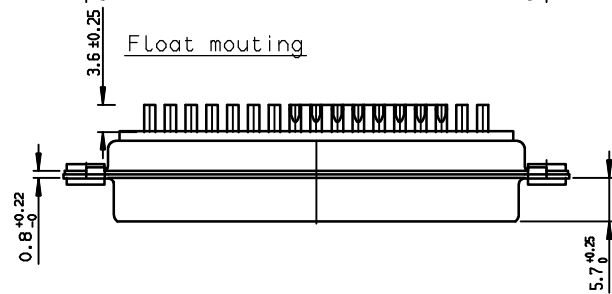
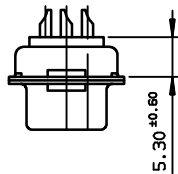
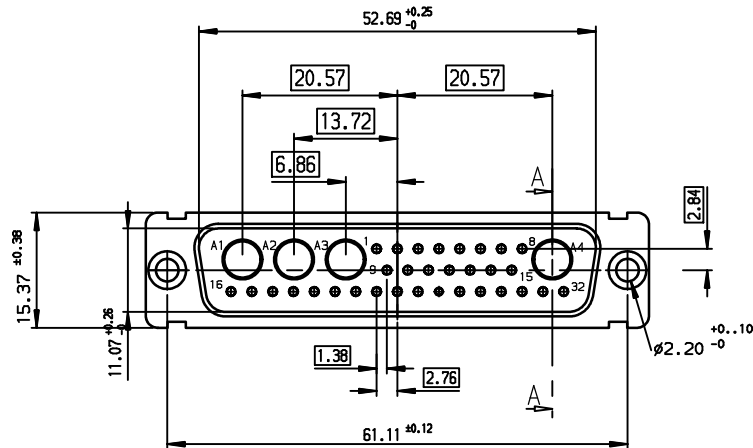
D

A

B

C

D



Detail section A-A

rev	ecn no	dr	date
A	LS06-0024	MPE	2006/02/02
B	LS06-0097	LGO	2006/07/27
-	-	-	-
-	-	-	-
-	-	-	-
-	-	-	-

CHARACTERISTICS:

Max current rating: 7.5A per standard contact
 Dielectric withstanding voltage: 1000V minimum
 Insulation resistance: >5000Ma
 Contact resistance: <7.3ma
 Mating and unmating forces: conform to MILC24308

Contact retention: 40N for contact size 20
 Material of -insulator: green polyester class UL 94 V-0
 -shell: Steel
 -contact: brass

Plating of -shell: tin-lead
 -contact: gold over nickel

Contact diameter: 1 mm
 cable diameter: AWG 20 maxi (0.6mm²)
 Temperature range: -55°C, +125°C

TEST RESULTS

Contact resistance after 100,200,500 mating/unmating: RC<7.3 ma
 Results of salt spray test: method 1001 of MIL STD 1344
 Mating/unmating force after 200 mating cycles: <0.2N per contact

Shock test results: method 2004 MIL STD 1344 discontinuity <1 microsecond
 Vibrations: method 2005 of MIL STD 1344 discontinuity <1 microsecond
 Humidity: method 1002 of MIL-STD-1344

DDMF36W4PN
 PART NUMBER

European Views

www.fciconnect.com		surface ISO 1302 ✓	tolerance std ISO 406 ISO 1101	projection mm
TOLERANCES UNLESS OTHERWISE SPECIFIED				
Dr	M PESSON	2006/02/02	0.x ±0.1	size A3
Eng	P LEGARE	2006/02/02	0.xx ±0.1	Scale 1.5
Chr	P LEGARE	2006/02/02	0.xxx ±0.1	ECN LS06-0097
Appr	P LEGARE	2006/02/02	Product family D-SUB	Spec ref -
			SUB MALE DMW 36W4 WITHOUT POWER AND SOLDER BUCKET catalog no -	C01-8637-1716 Rev. B

1 2 3 4