

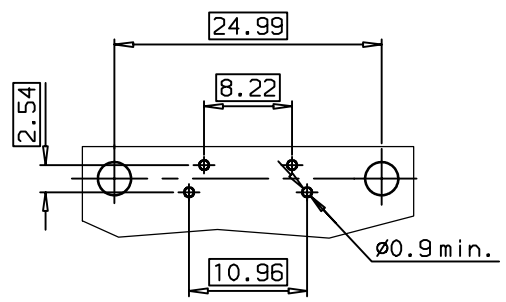
TIN LEAD PART NUMBER

DEV5W1S500M00
PART NUMBER

LEAD FREE PART NUMBER

DEV5W1S500M00LF
PART NUMBER

LAYOUT DIMENSIONS (after plating)
CONNECTOR SIDE VIEW



GENERAL CHARACTERISTICS AND ROHS INFORMATIONS:
SEE DRAWING C01-8639-0003

European Views

www.fciconnect.com		surface ISO 1302	tolerance std ISO 406 ISO 1101	projection	mm
		TOLERANCES UNLESS OTHERWISE SPECIFIED			
Dr	BART	1997/01/02	0.X ±0.1	size	Scale
Eng	PESSON	1997/01/02	0.XX ±0.1	A3	2
Chr	LEGARE	1997/01/02	0.XX' ±2'	ECN	L506-0095
Appr	LEGARE	1997/01/02	0.XXX ±0.1	Product family	D-SUB Spec ref -
FCI		SOCKET CONNECTOR 5W1		dwg no	Rev.
		RA TERMINATION		C01-8639-2077	C
		catalog no		CUSTOMER	sheet 1 of 1

rev	ecn no	dr	date
A	-	BAR	2004/02/11
B	L505-001	MPE	2005/03/10
C	L506-0095	LGO	2006/06/21
-	-	-	-
-	-	-	-
-	-	-	-



Copyright FCI.