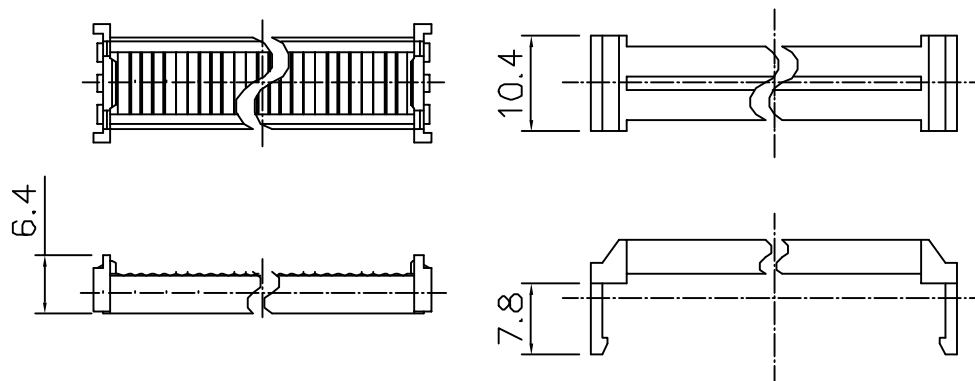
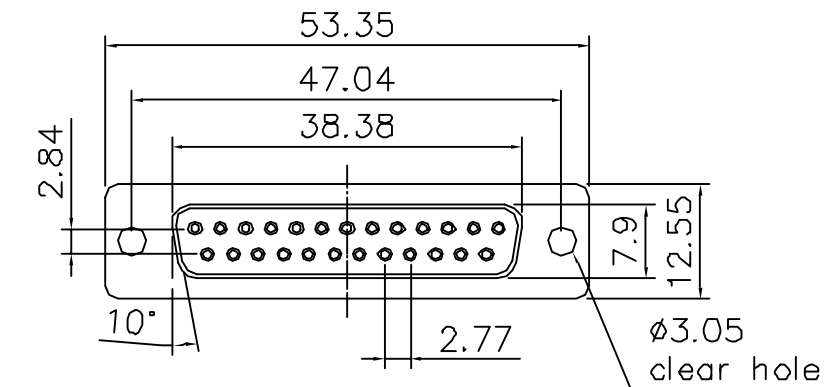


This document is the property of Amphenol Corporation and is delivered on the express condition that it is not to be disclosed, reproduced or used, in whole or in part, for the manufacture or sale by anyone other than Amphenol Corporation without its prior consent, and that no right is granted to disclose or to use any information in this document.

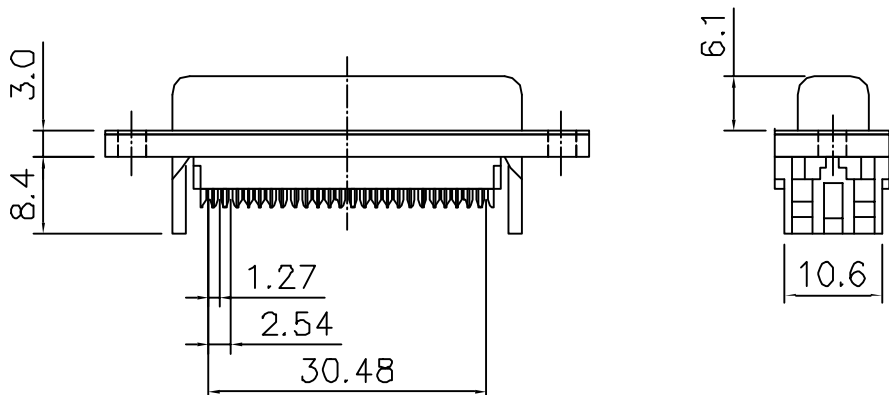
## Specifications

Contact Resistance : 30m max. at DC 100mA  
 Insulator Resistance : 1000M min. at DC 500V  
 Current Rating: 5 AMP  
 Dielectric withstanding voltage : AC 500V. for 1minute  
 Operating Temperature : -55° to +125 degrees celsius  
 Contact : Brass, selective gold ( see table below )  
 Housing : PBT & 30% Glass Fiber (UL 94V-0)  
 Single Contact Insertion Force : 500g max  
 Single Contact withdrawal Force : 30g min

FEMALE



STRAIN RELIEF



Drawing number	Contact plating
L17DBFRA25S	Gold flash
L117DBFRA25S	15µ inches
L17DBFRA25SC309	30µ inches

TOLERANCE (mm)	APPROVALS	DATE	TITLE	AMPHENOL
X. ±0.5	GDU	18/09/06	17 SERIES FLAT RIBBON D-SUB SOCKET CONNECTORS	AMPHENOL SOCAPEX
X.X ±0.3	J.F.L.	18/09/06		Dale Plant
XXX ±0.2	J.F.L.	18/09/06		Scale N.A. Sheet 1 of 1
			UNIT: MM	REV. A

SIZE: DRAWING# L-17DBFRA25S----