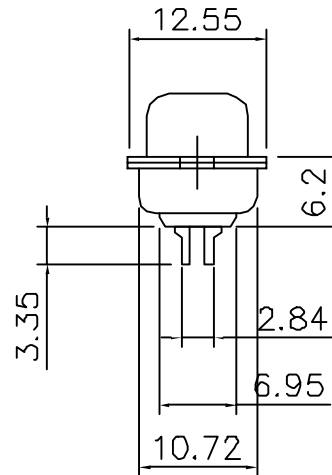
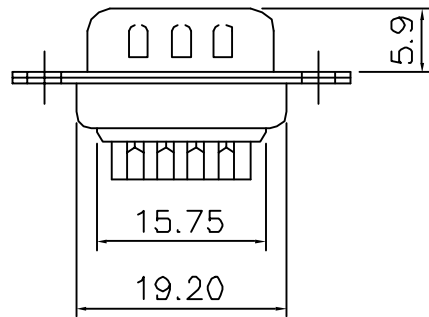
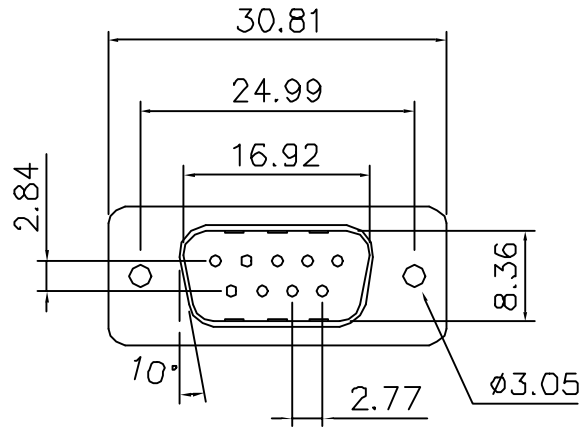


This document is the property of Amphenol Corporation and is delivered on the express condition that it is not to be disclosed, reproduced or used, in whole or in part, for the manufacture or sale by anyone other than Amphenol Corporation without its prior consent, and that no right is granted to disclose or to use any information in this document.

### Specifications

Contact Resistance: 30m ohms max. at DC 100mA  
 Insulator Resistance: 1000M ohms min. at DC 500V  
 Current Rating: 5 AMP  
 Dielectric Withstanding  
 Voltage: AC 1000V For 1 minute  
 Operating Temperature: -55°C ~ +125°C  
 Shell : steel  
 Plating : 100" Tin over 50" Nickel  
 Contact: Brass  
 Underplating : 50" Nickel  
 Plating: Selective gold on mating area ( see table below )  
 Tails = 100 " pure Tin  
 Housing: PBT & 30% Glass Fiber (UL 94V-0)

RoHS compliant  
 MSL components : level 3



| Drawing number | Contact plating |
|----------------|-----------------|
| L717SDE09P     | Gold flash      |
| L777SDE09P     | 15µ inches      |
| L717SDE09PC309 | 30µ inches      |



| TOLERANCE                  | m/m  | APPROVALS        | DATE     | TITLE   | AMPHENOL                |        |
|----------------------------|------|------------------|----------|---|-------------------------|--------|
| X.                         | 0.05 | DRAWN<br>QDU     | 21/09/06 | SD SERIES<br>D-SUB CONNECTORS<br>SOLDER CUP<br>PLUG | AMPHENOL SOCAPEX        |        |
| X.X                        | 0.1  | CHECKED<br>JF.L  | 21/09/06 |   | Dole Plant              |        |
| X.XX                       | 0.3  | APPROVED<br>JF.L | 21/09/06 |   | Scale N.A. Sheet 1 of 1 |        |
| UNLESS OTHERWISE SPECIFIED |      |                  |          | UNIT: MM  | SIZE: DRAWING: A4       | REV. A |

L7-7SDE09P----