

TECHNICAL DATA

'' D '' SUBMINIATURE CONNECTORS

SHELL Steel .
finish : tinned

BODY Glass filled thermoplastic polyamide
Flame retardant to UL 94 V-0 .
(resist to short terme temperature 260°C)
Colour : black

BRACKETS Steel, Tinned

ELECTRICAL Voltage rating 300 V Rms to 50Hz .
Nominal current 40 A (size 8)
Withstanding voltage >1000 V Rms to 50 Hz
Contact resistance <5m Ohms .
Insulator resistance >5000 M Ohms.

CLIMATIC Temperature range -55°C + 125°C .
Damp heart 56 days 40°C - 95 % RH .
Other climatic specifications in accordance
with NF C 93-425, sheet HE507

MECHANICAL Insertion force per contact 1,2N < F < 2,5 N (size 20)
Extraction force per contact 0,4 N mini (size 20)
Mating and unmating force size A 80N maxi 4,5N mini

MARKING Amphenol - ... (serie number)
Commercial reference
Manufacturing date

L 717TW A 3W3 P

L - RoHS

717TW Tinned Shell
717TW Tinned shell with dimples
Monobloc dielectric

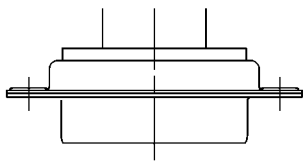
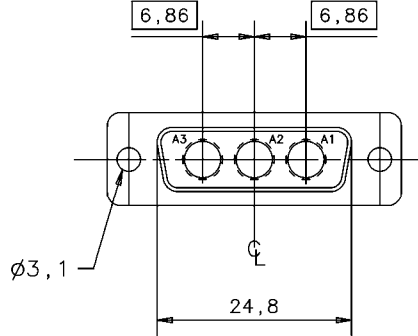
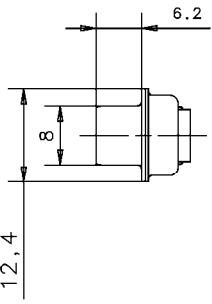
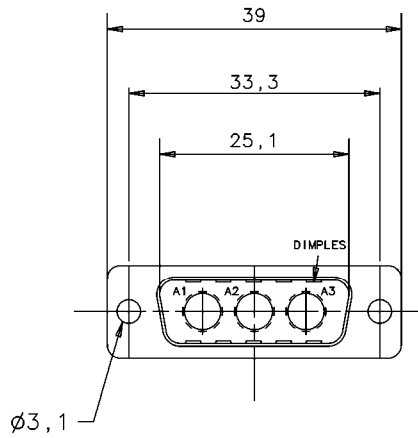
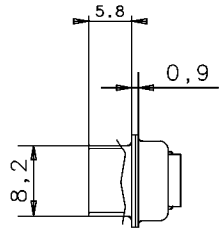
Shell size : A

Mounting type

Configuration :
3 cavities size 8

Options:

Contact type : P = male
: S = female



				CLIENT		Amphenol Socapex	
				N° SERIE		Usine de Dole	
				Sub-D			
A	<input checked="" type="checkbox"/>	CREATION PLAN	Vallois	13/12	DOSSIER notice	PLAN NOTICE	
IND.		MODIFICATIONS	EXEC.	DATE	Approb		
N°				REFERENCE COMMERCIALE :			
DATE DU TIRAGE				L717TW A3W3P			