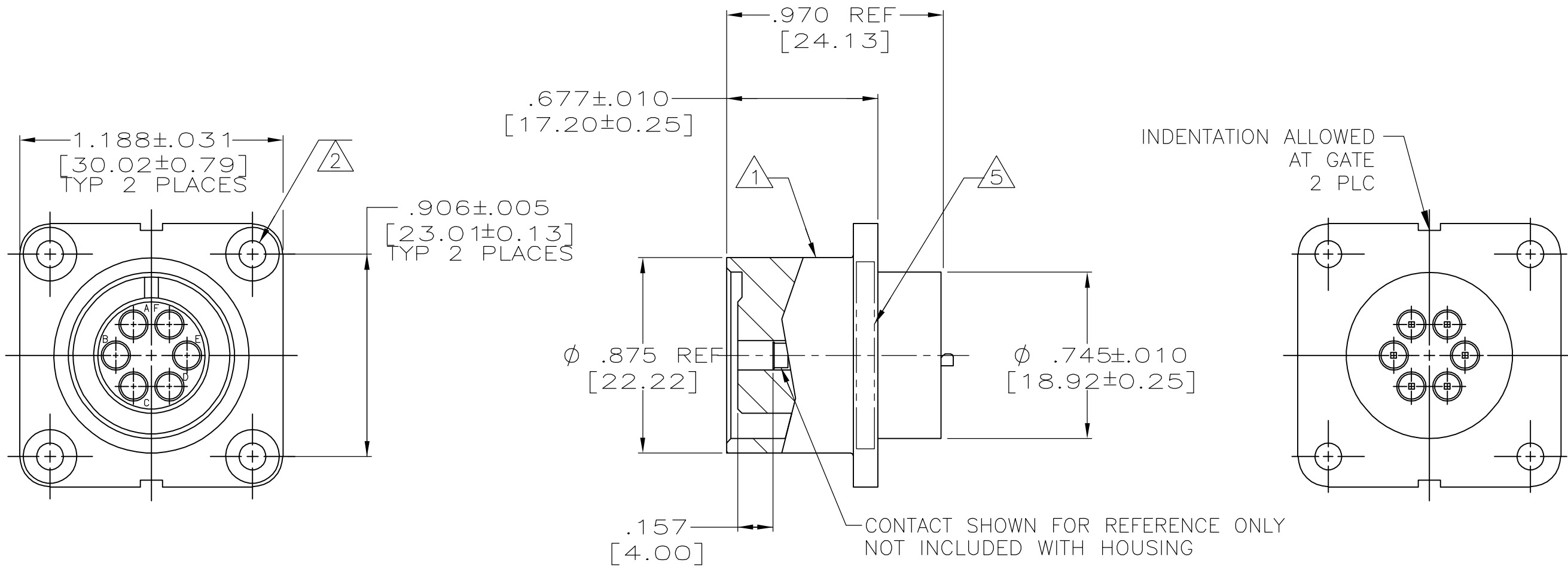


THIS DRAWING IS UNPUBLISHED. RELEASED FOR PUBLICATION, 19  
 © COPYRIGHT 19 BY AMP INCORPORATED. ALL INTERNATIONAL RIGHTS RESERVED.

PROD 4085 CODE	LOC DF	DIST SO	P	F	REVISIONS				DATE	APPD
					ZONE	LTR	DESCRIPTION			
						B	REV PER ECO 06-14737 CT	6-22-06	DE	



- 1 HOUSING IS NOT PROVIDED WITH THREADED FRONT SKIRT.
- 2  $\phi .120^{+.005}_{-.001}$  HOLE WITH  $82^\circ$  X  $\phi .243^{+.005}_{-.001}$  CSINK  
 $[3.05^{+0.13}_{-0.03}]$   $[3.05^{+0.13}_{-0.03}]$   
 4 PLACES
- 3. RECEPTACLE INTERFACE IS THE SAME AS MS 3102A-14S-6S EXCEPT  $\phi .875$  [22.23] IS NOT THREADED.
- 4. AMP DOES NOT MANUFACTURE THE MATING PLUG AND IS NOT RESPONSIBLE FOR PIN AND SOCKET ENGAGEMENT.
- 5 MARKED PER MIL-STD-130.

		1218081-1	
		PART NO	
DO NOT SCALE PRINT. UNLESS SPECIFIED DIMENSIONS IN INCHES [mm] TOLERANCES ON: 2 PLC DEC ± .01 [0.25] 3 PLC DEC ± .005 [0.13] ANGLES ± _____		DR 10-14-97 C.C.THOMAS	AMP Incorporated Harrisburg, PA 17105-3608
MATERIAL HOUSING: BLACK POLYESTER THERMO PLASTIC		CHK 10-16-97 D. EABY	
FINISH _____		APPD 10-16-97 D. EABY	NAME RCPT HOUSING, 6 POSN., LGH, SPECIAL 4mm RECESS
		RLSE 10-16-97 C.C.THOMAS	SIZE B
		PRODUCT SPEC -	CAGE CODE 00779
		APPLICATION SPEC -	DRAWING NO 1218081
		WEIGHT -	SCALE 2:1
			SHEET 1 OF 1