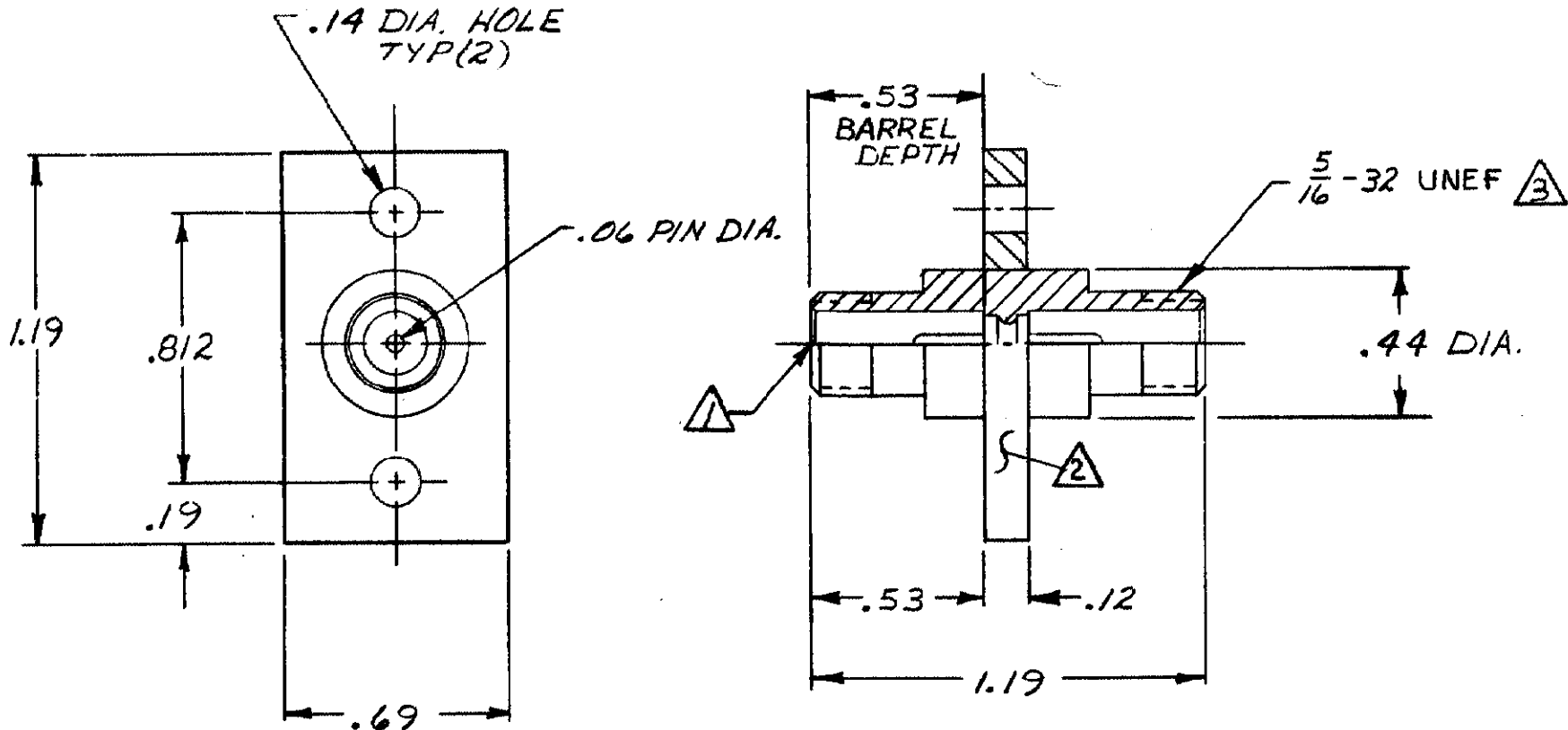


DRAWING MADE IN AMERICAN PROJECTION

© 1970 BY AMP INCORPORATED. ALL RIGHTS RESERVED. AMP PRODUCTS COVERED BY PATENTS AND/OR PATENTS PENDING.

THIS PRODUCT DESIGNED AND BUILT BY AMP INCORPORATED. NO LICENSE TO USE THAT DESIGN IN MANUFACTURE, OR TO USE ANY ISSUED OR PENDING PATENTS WHICH ARE INVOLVED, IS IMPLIED.

REVISIONS				
ZONE	LTR	DESCRIPTION	DATE	APPROVED
	E	REVISED & REDRAWN	10-14-70	Ken K
	F	REVISED NOTE 1.	10-15-73	J.P.
	G	REVISED PER ECN 4349	5-22-74	M.S.
	H	REV PER ECN S-3960	9/16/87	R.B.



- 1. RECEPTACLE TO MATE WITH AMP LGH-1/2 LEAD ASSEMBLY, AVAILABLE SEPARATELY.
- 2. MARK AMP & AMP PIN (MARKING IN WHITE)
- 3. PER FEDERAL STANDARD H-28 3 WIRE METHOD DIMENSION OVER WIRES TO BE: .307-.318

830174-2 AS SHOWN WITH GOLD PLATED PIN  
 830174-1 AS SHOWN WITH TIN PLATED PIN

QTY REQD	QTY R_QD	ITEM NO.	DWG SIZE	PART OR IDENTIFYING NO.	NOMENCLATURE OR DESCRIPTION	SYMBOL
-2	-1					

QTY REQD	FINAL ASSY	NEXT ASSY	USED ON	APPLICATION

UNLESS OTHERWISE SPECIFIED:  
 DIMENSIONS ARE IN INCHES  
 TOLERANCES  
 .00 ± .04 ANGLES .000 ± .015

MATERIAL:  
 MOLDED GLASS  
 EPOXY

FINISH:  
 BLACK

CONTRACT NO.  
 DR J.S. 5-27-65

CHK  
 APPD J.W. GAW 6-18-65

DESIGN APPD  
 OTHER APPD

**AMP** AMP INCORPORATED  
 CAPITRON DIVISION  
 ELIZABETHTOWN, PENNSYLVANIA

NAME  
 LGH-1/2 RECEPTACLE, FEED-THRU FOR BULKHEAD APPLICATION

SIZE B CODE IDENT NO. 89110 NUMBER 830174

SCALE 2:1 WT SHEET 1/1

PRINT DIST 37