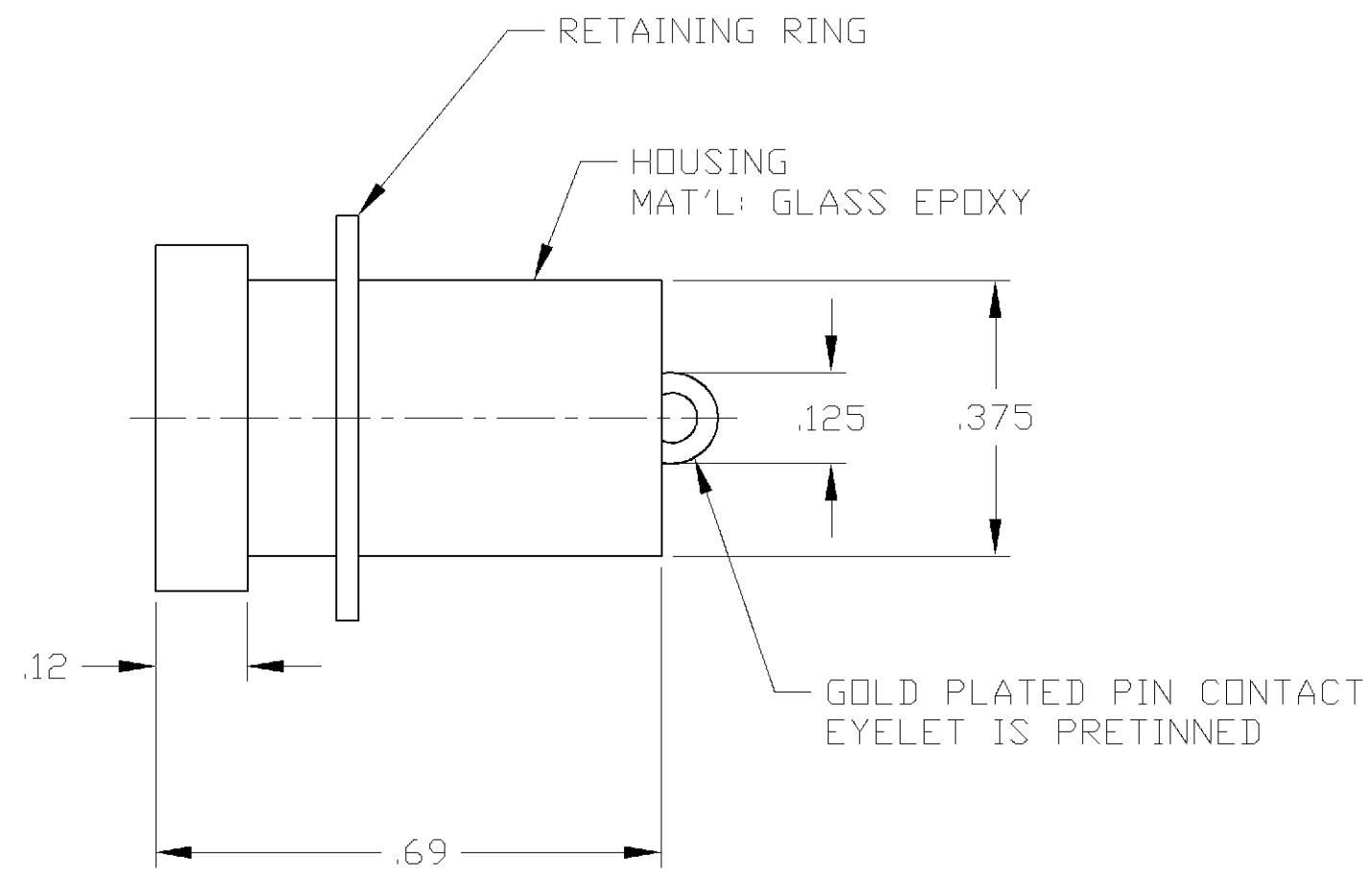
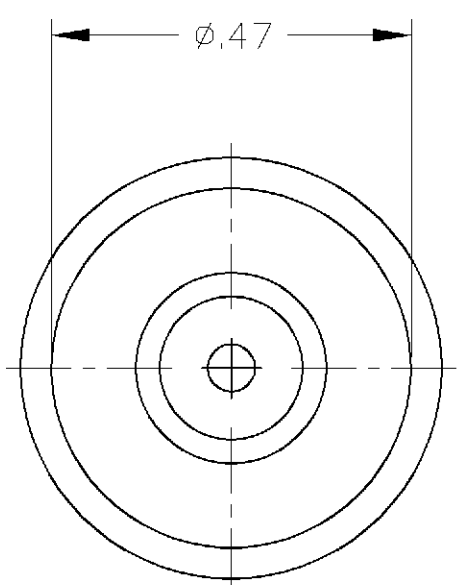


THIS DRAWING IS UNPUBLISHED. RELEASED FOR PUBLICATION
 © COPYRIGHT BY TYCO ELECTRONICS CORPORATION. ALL RIGHTS RESERVED.

LOC	DIST	REVISIONS					
DF	SO	P	LTR	DESCRIPTION	DATE	DWN	APVD
		C		REV PER 0G3D-0255-01	3-02	CT	DE



1. IF BULKHEAD AND MOUNTING HARDWARE ARE METALLIC AND AT GROUND POTENTIAL PROVISIONS MUST BE MADE TO PROTECT THE RECEPTACLE BACK END AGAINST ARC OVER AND BREAKDOWN.

859111-1
PART NO.

THIS DRAWING IS A CONTROLLED DOCUMENT.		DWN C.C.THOMAS 26MAR2002	tyco Tyco Electronics Corporation													
DIMENSIONS: INCHES		CHK D.EABY 3-27-02	Electronics Harrisburg, Pa 17105-3608													
TOLERANCES UNLESS OTHERWISE SPECIFIED:		APVD D.EABY 3-27-02	NAME													
<table border="0"> <tr><td>0 PLC</td><td>± -</td></tr> <tr><td>1 PLC</td><td>± -</td></tr> <tr><td>2 PLC</td><td>± .02</td></tr> <tr><td>3 PLC</td><td>± .010</td></tr> <tr><td>4 PLC</td><td>± -</td></tr> <tr><td>ANGLES</td><td>± -</td></tr> </table>		0 PLC	± -	1 PLC	± -	2 PLC	± .02	3 PLC	± .010	4 PLC	± -	ANGLES	± -	PRODUCT SPEC -	PIN AND BUSHING ASSEMBLY, LGH	
0 PLC	± -															
1 PLC	± -															
2 PLC	± .02															
3 PLC	± .010															
4 PLC	± -															
ANGLES	± -															
MATERIAL -		FINISH -	APPLICATION SPEC -	RESTRICTED TO -												
		WEIGHT -	SIZE A3	CAGE CODE 00779												
		CUSTOMER DRAWING	DRAWING NO C-859111	SCALE 4:1												
			SHEET 1	OF 1												
			REV C													