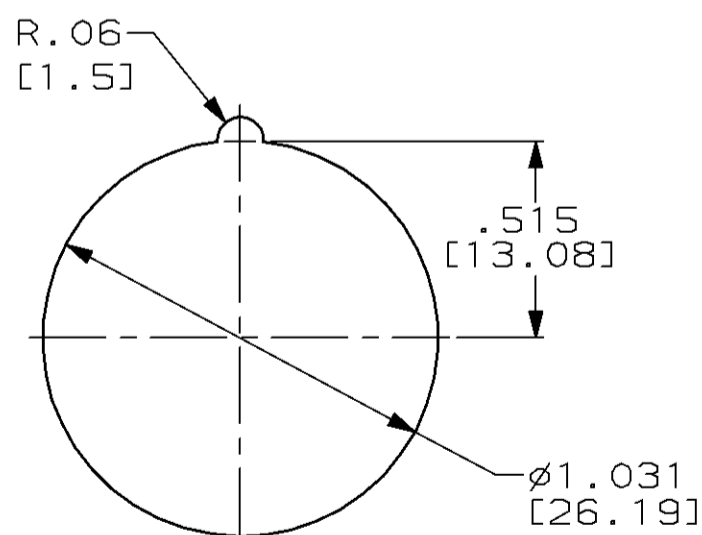
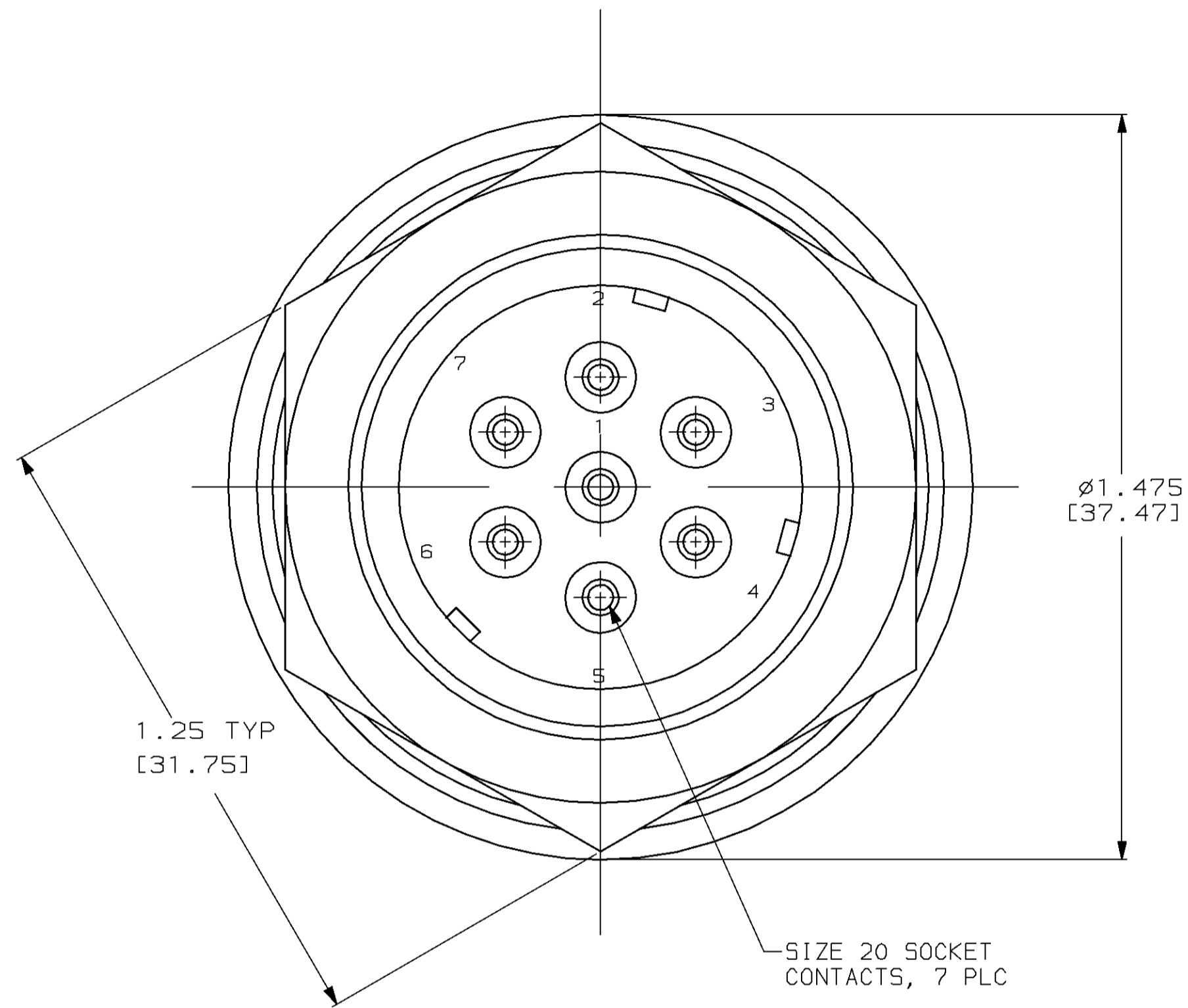
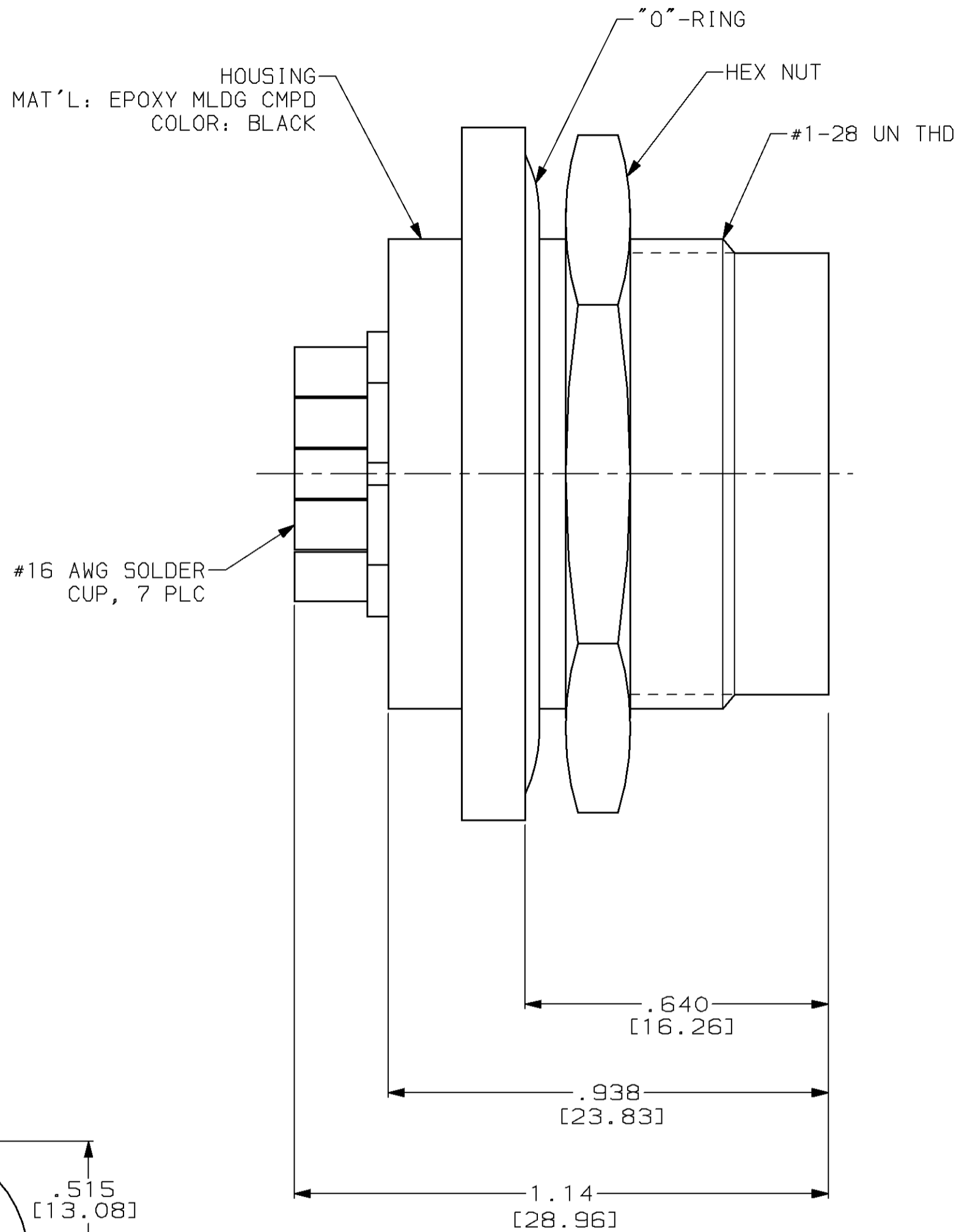


THIS DRAWING IS UNPUBLISHED. RELEASED FOR PUBLICATION  
 © COPYRIGHT 19 BY AMP INCORPORATED. ALL RIGHTS RESERVED.

LOC	DIST	REVISIONS			
P	LTR	DESCRIPTION	DATE	DWN	APVD
DF	SO	B	REDRAWN PER 0600-6253-97	CT	7-97
				CT	SG



RECOMMENDED PANEL CUTOUT  
 SCALE 2:1  
 MAX PANEL THICKNESS: .125 [3.18]

1. MARKED PER MIL-STD-130.

861999-1  
 PART NUMBER

THIS DRAWING IS A CONTROLLED DOCUMENT.		DWN C.C.THOMAS 7-16-97	AMP Incorporated Harrisburg, PA 17105-3608		
DIMENSIONS: INCHES [mm]		CHK S.GLATFELTER 9-4-97	NAME 7 PIN MINIATURE RCPT KIT, LGH		
TOLERANCES UNLESS OTHERWISE SPECIFIED:		APVD S.GLATFELTER 9-4-97	DRAWING NO C-861999		
0 PLC ±-		PRODUCT SPEC	SIZE A2		
1 PLC ±-		APPLICATION SPEC	CAGE CODE 00779		
2 PLC ±.01 [0.3]		WEIGHT	SHEET 1 OF 1		
3 PLC ±.010 [0.25]		FINISH	REV B		
4 PLC ±-		SEE CALLOUTS	SCALE 4:1		
ANGLES ±-		SEE CALLOUTS	SHEET 1 OF 1		
MATERIAL SEE CALLOUTS		FINISH SEE CALLOUTS	CUSTOMER DRAWING		