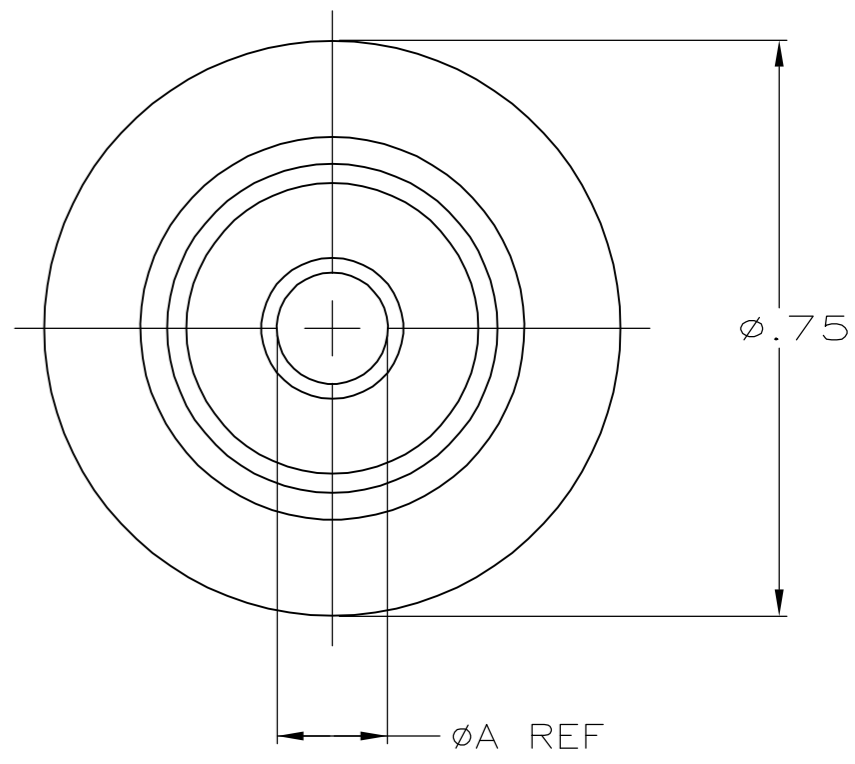
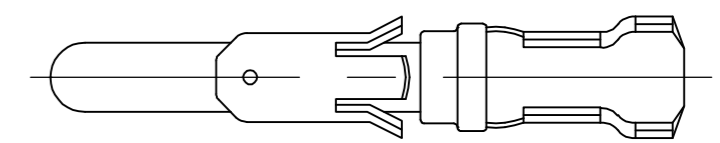
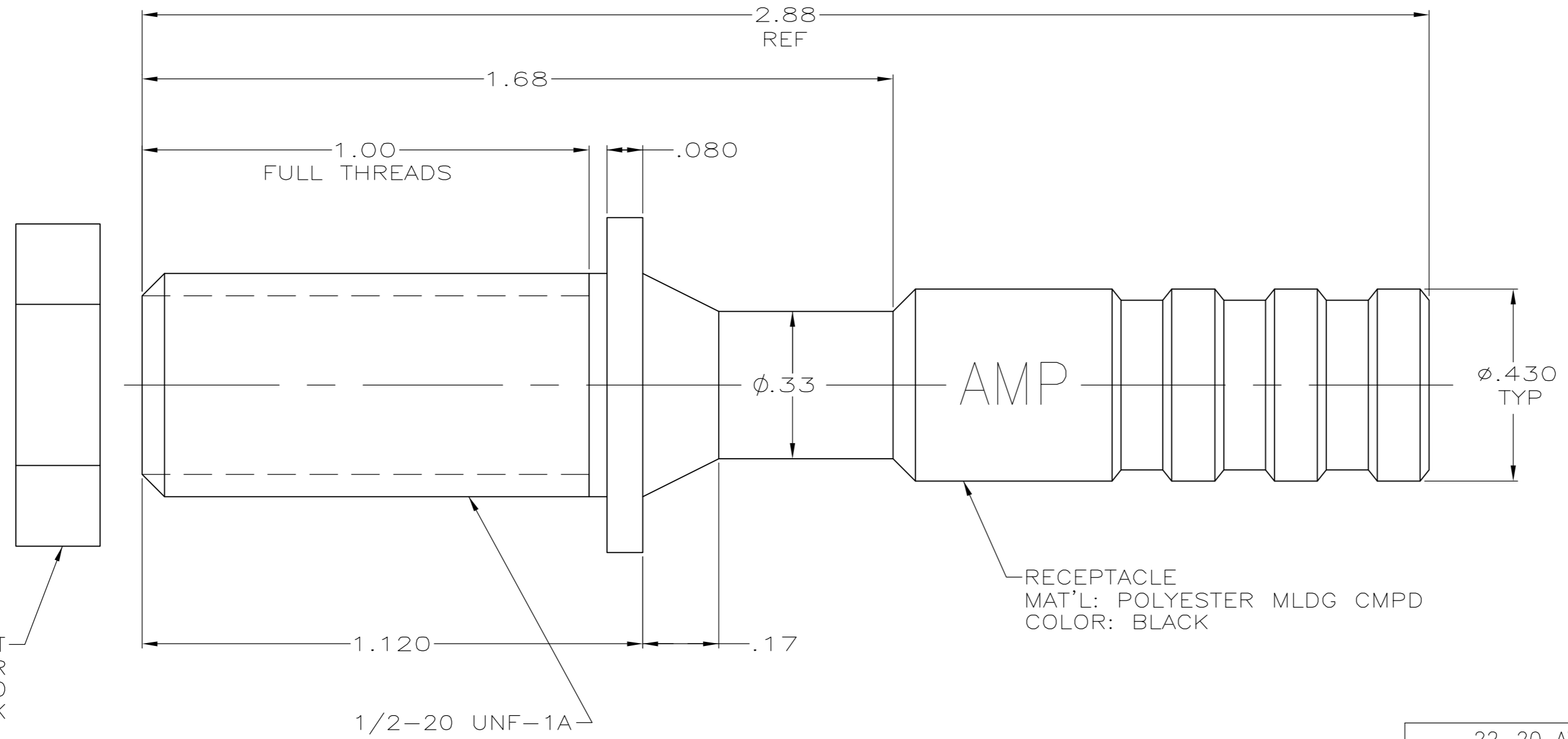


THIS DRAWING IS UNPUBLISHED. RELEASED FOR PUBLICATION - N/A .  
 © COPYRIGHT N/A BY TYCO ELECTRONICS CORPORATION. ALL RIGHTS RESERVED.

LOC	DIST	REVISIONS					
DF	S0	P	LTR	DESCRIPTION	DATE	DWN	APVD
		G		REV PER OH14-0191-05	05-05	AA	DE

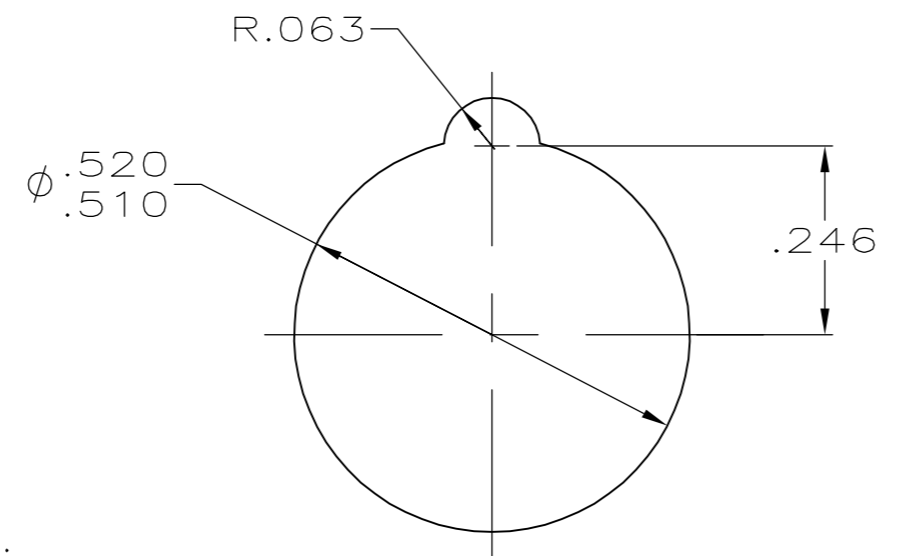


RECEPTACLE  
 MAT'L: POLYESTER MLDG CMPD  
 COLOR: BLACK

NUT  
 MAT'L: POLYESTER  
 MLDG CMPD  
 COLOR: BLACK

1/2-20 UNF-1A

	22-20 AWG	.302	1-66400-0	5-862197-4
	18-16 AWG	.185	1-66099-5	5-862197-3
	18-16 AWG	.302	1-66099-5	5-862197-2
	22-20 AWG	.185	1-66400-0	5-862197-1
OBSOLETE	14 AWG	.302	66361-2	862197-8
OBSOLETE	14 AWG	.185	66361-2	862197-7
	-	.302	-	862197-6
	-	.185	-	862197-5
	22-20 AWG	.302	66400-1	862197-4
	18-16 AWG	.185	66099-2	862197-3
	18-16 AWG	.302	66099-2	862197-2
	22-20 AWG	.185	66400-1	862197-1
WIRE GAGE REF	DIM A REF	PIN CONTACT TYPE III+ L.P. QTY = 1		PART NUMBER



MOUNTING HOLE

1. MAX VOLTAGE:  
20 KVDC  
8 KVDC RMS 60 HZ
2. USE AMP CRIMP TOOL: #90067-2
3. NUT AND PIN CONTACT SUPPLIED WITH KIT UNASSEMBLED.

THIS DRAWING IS A CONTROLLED DOCUMENT.

DIMENSIONS: INCHES	TOLERANCES UNLESS OTHERWISE SPECIFIED:	DWN C.C.THOMAS 04-MAY-01	Tyco Electronics Corporation Harrisburg, Pa 17105-3608
		CHK D. EABY 04-MAY-01	
		APVD D. EABY 04-MAY-01	
		PRODUCT SPEC	
MATERIAL	FINISH	APPLICATION SPEC	NAME RECEPTACLE LGH
		WEIGHT	SIZE A2 CAGE CODE 00779 DRAWING NO C=862197 RESTRICTED TO
		CUSTOMER DRAWING	SCALE 4:1 SHEET 1 OF 1 REV G