

4

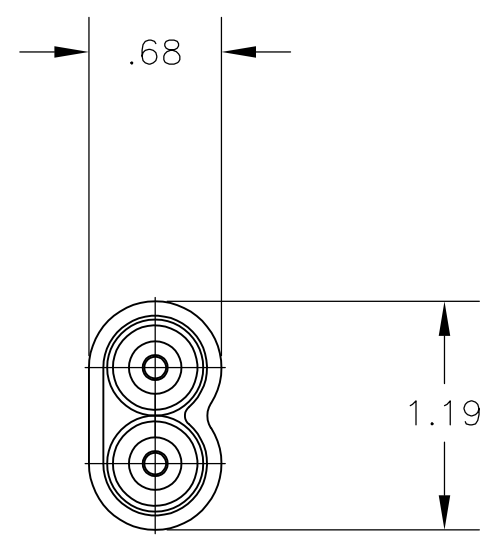
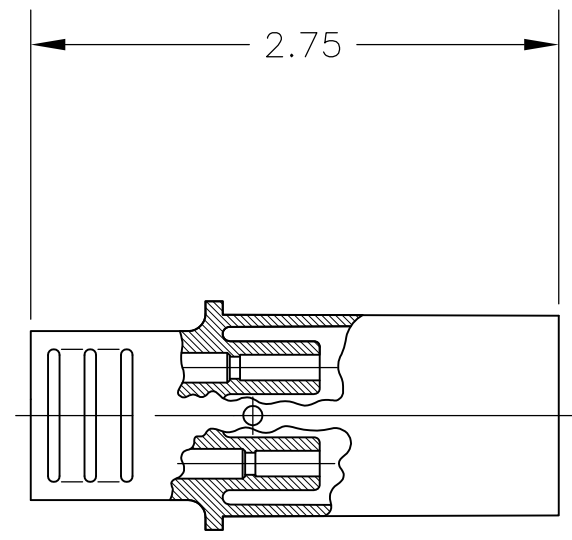
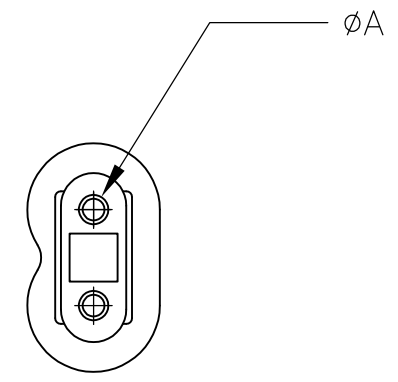
3

2

1

THIS DRAWING IS UNPUBLISHED. RELEASED FOR PUBLICATION
 © COPYRIGHT BY TYCO ELECTRONICS CORPORATION. ALL RIGHTS RESERVED.

LOC		DIST		REVISIONS			
P	LTR	DESCRIPTION		DATE	DWN	APVD	
	C	REV PER ECO-07-021506		14SEP07	PY	DE	



.215/.210	862383-2
.160/.150	862383-1
A DIM	PART NO.

THIS DRAWING IS A CONTROLLED DOCUMENT.		DWN P. YEAGER 13SEP2007	Tyco Electronics Corporation Harrisburg, PA 17105-3608				
DIMENSIONS: INCHES		CHK D. EABY 14SEP07					
		APVD D. EABY 14SEP07	NAME SOCKET HOUSING, 2 CAVITY TYPE III, LGH				
TOLERANCES UNLESS OTHERWISE SPECIFIED: 0 PLC ± - 1 PLC ± - 2 PLC ± .03 3 PLC ± .015 4 PLC ± - ANGLES ± -		PRODUCT SPEC -	APPLICATION SPEC -				
MATERIAL VALOX 26682-1		FINISH BLACK	WEIGHT -	SIZE A3	CAGE CODE 00779	DRAWING NO C-862383	RESTRICTED TO -
CUSTOMER DRAWING			SCALE 2:1	SHEET 1 OF 1	REV C		