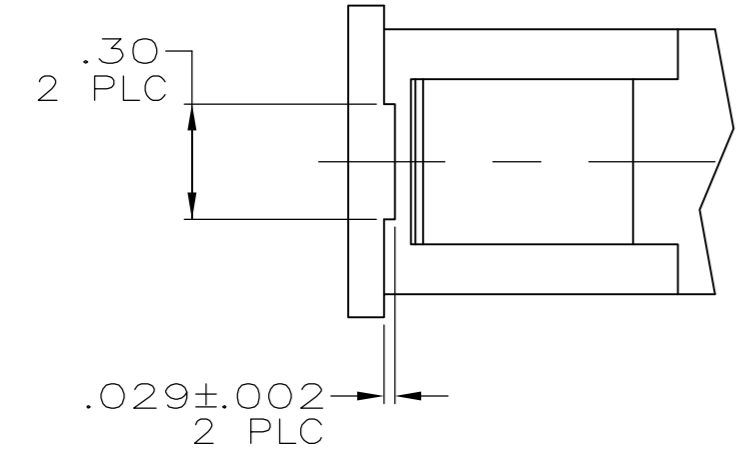


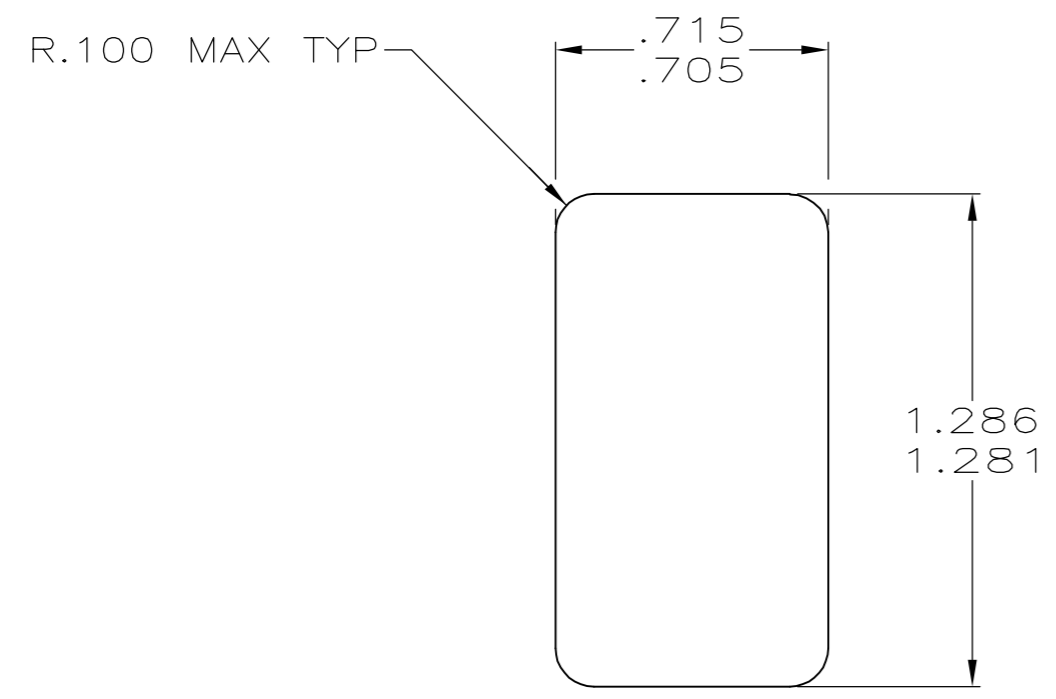
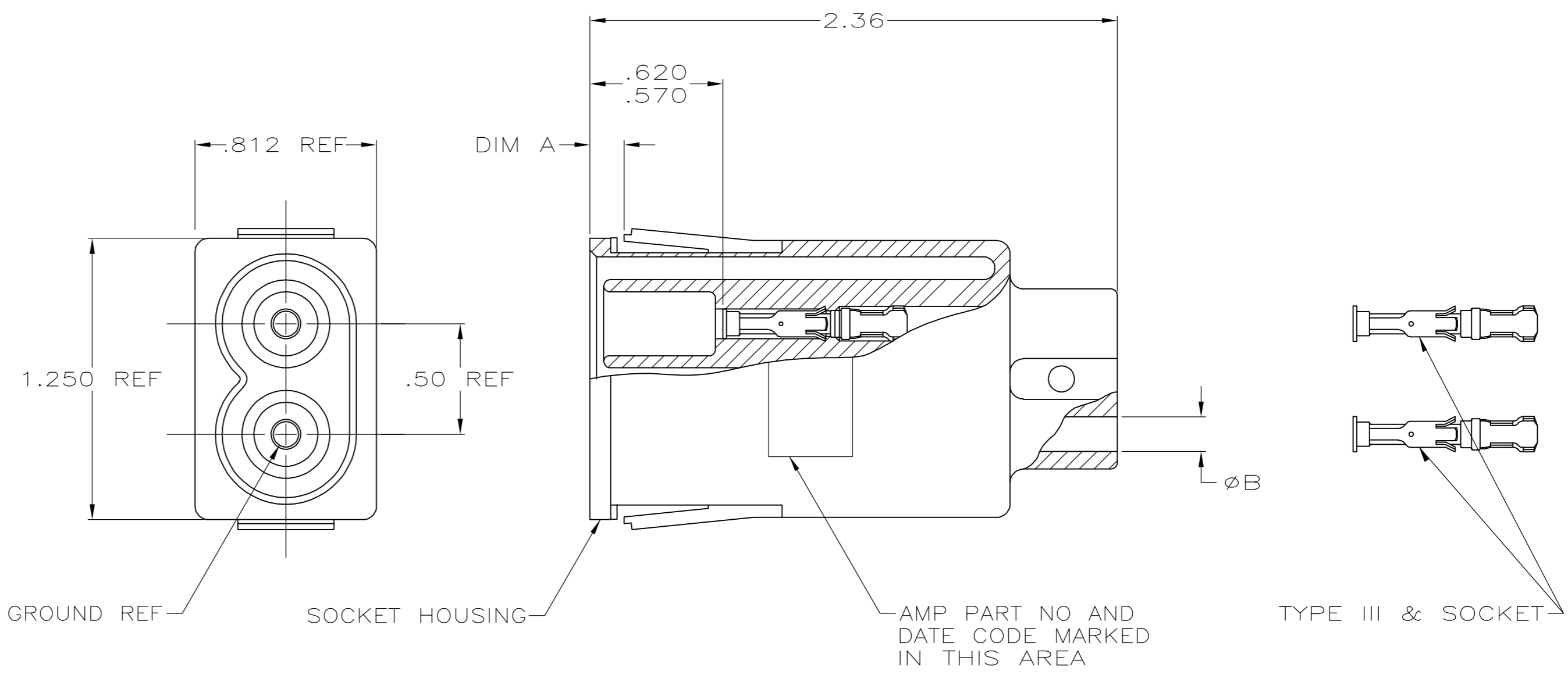
THIS DRAWING IS UNPUBLISHED. RELEASED FOR PUBLICATION - .N/A .
 © COPYRIGHT N/A BY TYCO ELECTRONICS CORPORATION. ALL RIGHTS RESERVED.

| LOC | DIST | REVISIONS | | | | | |
|-----|------|-----------|-----|-----------------------|---------|-----|------|
| DF | SO | P | LTR | DESCRIPTION | DATE | DWN | APVD |
| | | M | | REV PER ECO-06-025223 | 31OCT06 | PY | DE |

CONTACTS ARE PLATED WITH TIN PER ASTM-B-545 FOR 1-862435-4 & 1-862435-5 ONLY.



DETAIL T



RECOMMENDED PANEL CUTOUT

| | 90067-2 | 18-16 | .200 | .062 | 1-66101-9 | 1-862435-5 |
|-----------|-----------------------|-----------|-------|------------|-------------|------------|
| | 90067-2 | 18-16 | .125 | .062 | 1-66101-9 | 1-862435-4 |
| | 90067-2 | 22-20 | .125 | .030 | 66399-1 | 1-862435-3 |
| OBSOLETE | 90067-2 | 18-16 | .125 | .030 | 66101-2 | 1-862435-2 |
| OBSOLETE | 90067-2 | 22-20 | .200 | .030 | 66399-1 | 1-862435-1 |
| OBSOLETE | 90067-2 | 18-16 | .200 | .030 | 66101-2 | 1-862435-0 |
| OBSOLETE | 90067-2 | 22-20 | .125 | .090 | 66399-1 | 862435-9 |
| | 90067-2 | 18-16 | .125 | .090 | 66101-2 | 862435-8 |
| | 90067-2 | 22-20 | .200 | .090 | 66399-1 | 862435-7 |
| | 90067-2 | 18-16 | .200 | .090 | 66101-2 | 862435-6 |
| | 90067-2 | 18-16 | .200 | .062 | 66101-1 | 862435-5 |
| | 90067-2 | 22-20 | .200 | .062 | 66399-1 | 862435-4 |
| | 90067-2 | 18-16 | .200 | .062 | 66101-2 | 862435-3 |
| | 90067-2 | 22-20 | .125 | .062 | 66399-1 | 862435-2 |
| | 90067-2 | 18-16 | .125 | .062 | 66101-2 | 862435-1 |
| HAND TOOL | WIRE SIZE RANGE (AWG) | INSUL DIA | DIM A | SOCKET NO. | PART NUMBER | |

THIS DRAWING IS A CONTROLLED DOCUMENT.

| | | | |
|------------------|------------|-----------|---------------------------------------------------------------|
| DWN | C.C.THOMAS | 15-MAY-03 | Tyco Electronics Corporation Harrisburg, Pa 17105-3608 |
| CHK | D. EABY | 15-MAY-03 | |
| APVD | D. EABY | 15-MAY-03 | |
| PRODUCT SPEC | | | |
| APPLICATION SPEC | | | NAME |
| | | | SIZE |
| | | | CAGE CODE |
| | | | DRAWING NO |
| | | | RESTRICTED TO |
| | | | SCALE |
| | | | SHEET |
| | | | OF |
| | | | REV |

2 CAVITY RECEPTACLE KIT LGH

A2 00779 C=862435

CUSTOMER DRAWING SCALE 2:1 SHEET 1 OF 1 REV M