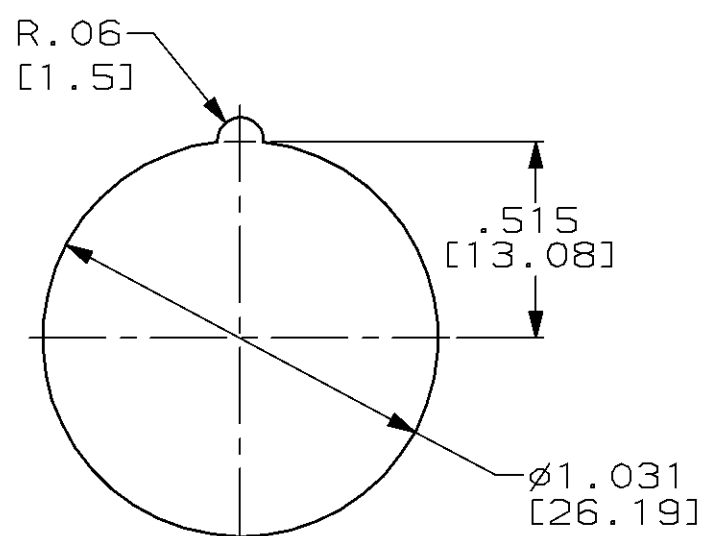
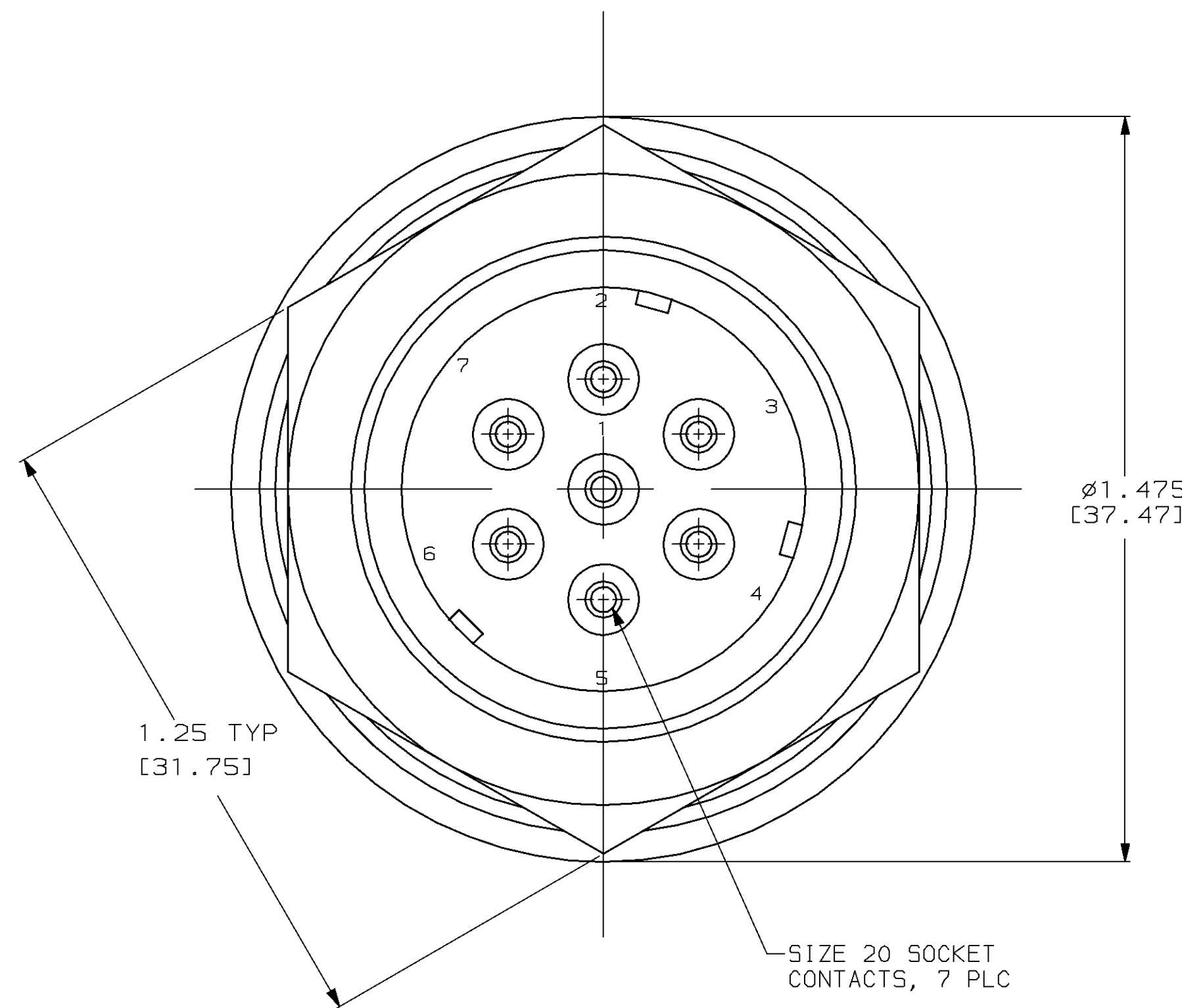
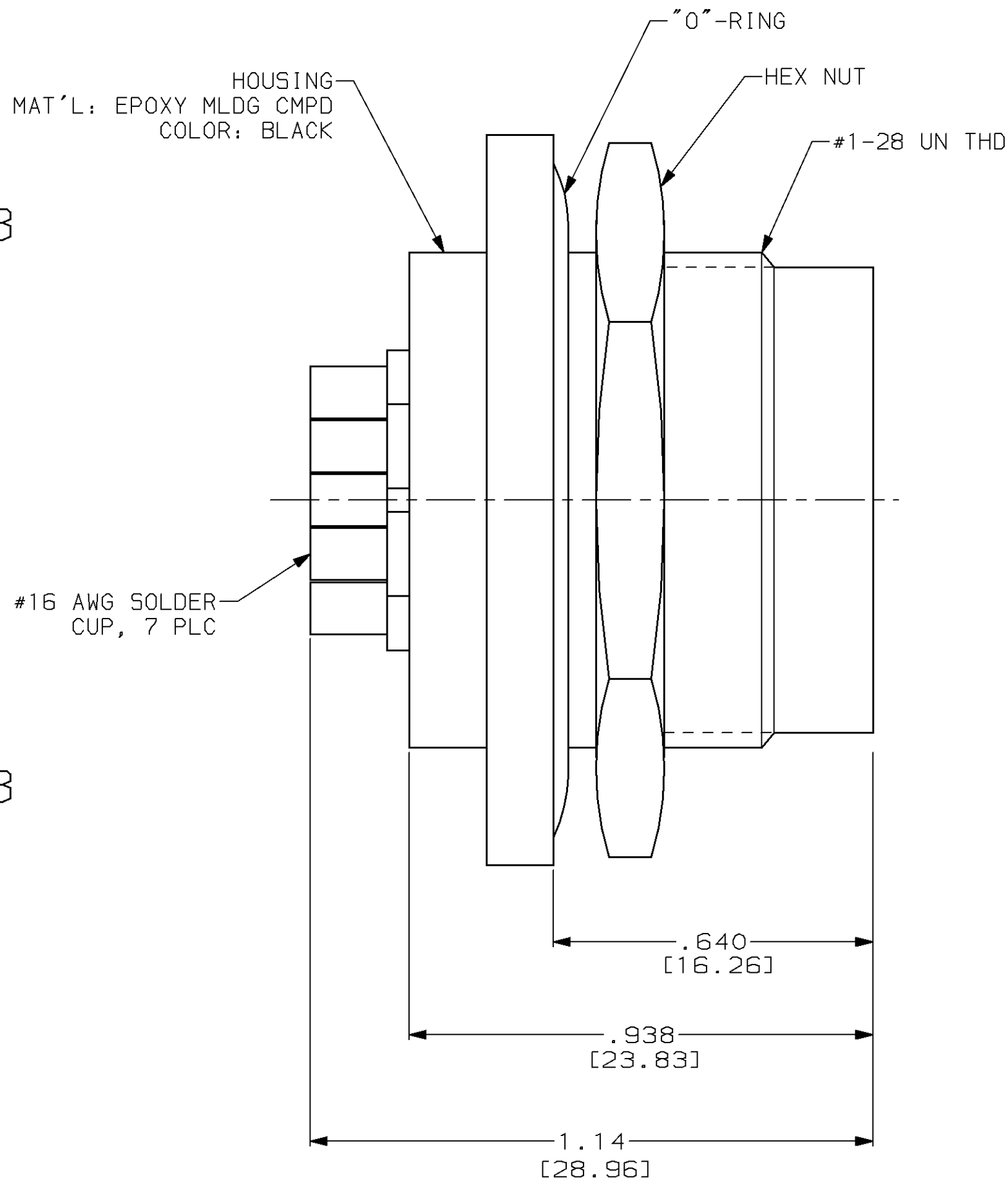
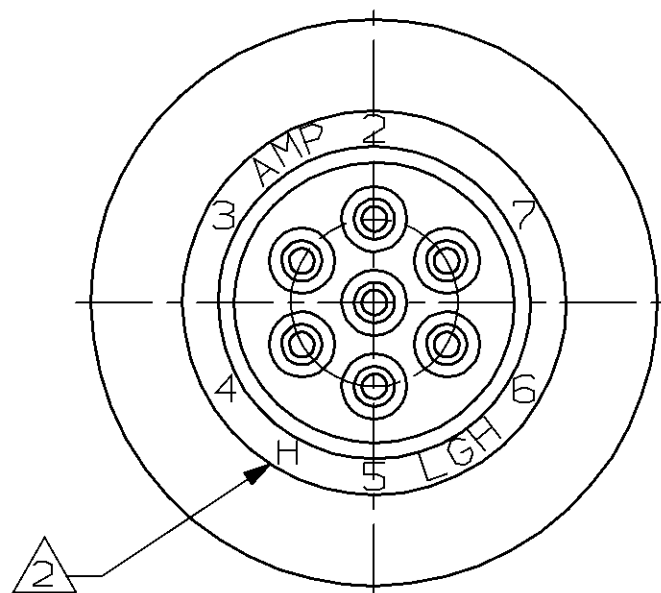


THIS DRAWING IS UNPUBLISHED. RELEASED FOR PUBLICATION  
 © COPYRIGHT 19 BY AMP INCORPORATED. ALL RIGHTS RESERVED.

| LOC |     | DIST        |                          | REVISIONS |      |    |    |
|-----|-----|-------------|--------------------------|-----------|------|----|----|
| P   | LTR | DESCRIPTION | DATE                     | DWN       | APVD |    |    |
| DF  | SO  | B           | REDRAWN PER 0600-6253-97 | CT        | 7-97 | CT | SG |



RECOMMENDED PANEL CUTOUT  
SCALE 2:1  
MAX PANEL THICKNESS: .125 [3.18]



- 1. MARKED PER MIL-STD-130.
- 2. HERMETIC SEAL IDENTIFICATION CODE.

862794-1  
PART NUMBER

|  |  |                                |  |
|--|--|--------------------------------|--|
| THIS DRAWING IS A CONTROLLED DOCUMENT. |  | DWN<br>C.C.THOMAS<br>7-16-97   | <b>AMP</b> AMP Incorporated<br>Harrisburg, PA 17105-3608     |
| DIMENSIONS:<br>INCHES [mm]             |  | CHK<br>S.GLATFELTER<br>9-4-97  |  |
| TOLERANCES UNLESS OTHERWISE SPECIFIED: |  | APVD<br>S.GLATFELTER<br>9-4-97 | NAME<br>7 PIN MINIATURE RCPT KIT, LGH<br>HERMETICALLY SEALED |
| 0 PLC ±-                               |  | PRODUCT SPEC                   | SIZE<br>A2   |
| 1 PLC ±-                               |  | APPLICATION SPEC               | CAGE CODE<br>00779   |
| 2 PLC ±.01 [0.3]                       |  | WEIGHT                         | DRAWING NO<br>862794   |
| 3 PLC ±.010 [0.25]                     |  | CUSTOMER DRAWING               | SCALE<br>4:1   |
| 4 PLC ±-                               |  |                                | SHEET<br>1 OF 1  |
| ANGLES ±-                              |  |                                | REV<br>B   |
| FINISH                                 |  |                                |  |
| SEE CALLOUTS                           |  |                                |  |

862794