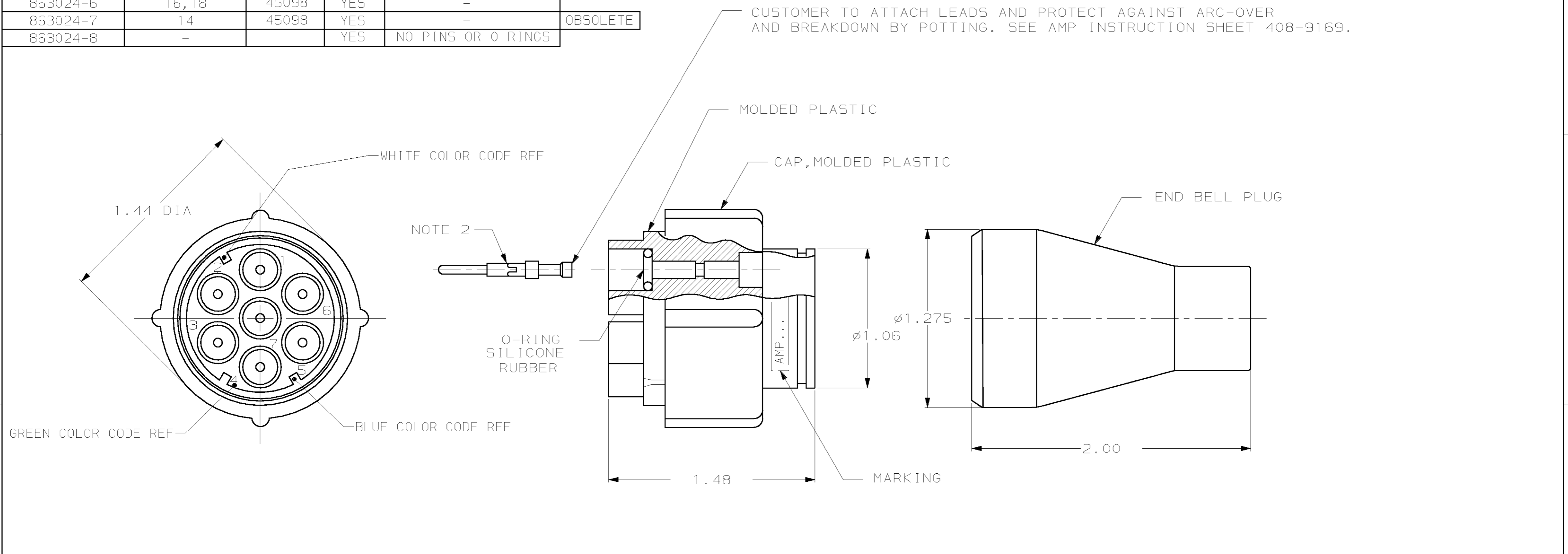


THIS DRAWING IS UNPUBLISHED. RELEASED FOR PUBLICATION .19
 © COPYRIGHT 19 BY AMP INCORPORATED. ALL RIGHTS RESERVED.

LOC	DIST	REVISIONS			
P	LTR	DESCRIPTION	DATE	DWN	APVD
DF	SO	E	REV PER 063D-0026-00	25JAN00	JEB DE

PART NO.	WIRE SIZE RANGE	HAND TOOL	COLOR CODE	REMARKS
863024-1	20,22,24	45099	NO	-
863024-2	16,18	45098	NO	-
863024-3	14	45098	NO	-
863024-5	20,22,24	45099	YES	- OBSOLETE
863024-6	16,18	45098	YES	-
863024-7	14	45098	YES	- OBSOLETE
863024-8	-		YES	NO PINS OR O-RINGS



- NOTE:
1. PLUG ASSEMBLY WILL WITHSTAND WITHOUT BREAKDOWN 27KVDC PIN TO PIN AND 27KVDC PIN TO GROUND. WHEN MATED WITH RECEPTACLE 861647-1.
 2. TO REMOVE PINS USE EXTRACTION TOOL #861751-1.
 3. CAVITY TO ACCEPT AMP PINS TYPE II SIZE 16.

THIS DRAWING IS A CONTROLLED DOCUMENT.		DWN J.E.BEATTY 25JAN00	AMP Incorporated Harrisburg, PA 17105-3608	
DIMENSIONS: INCHES		CHK D.G.EABY 25JAN00	NAME D.G.EABY	
TOLERANCES UNLESS OTHERWISE SPECIFIED:		APVD D.G.EABY 25JAN00	PRODUCT SPEC	
0 PLC ±-		APPLICATION SPEC		
1 PLC ±-		WEIGHT		
2 PLC ±.04		SCALE 2:1 SHEET 1 OF 1 REV E		
3 PLC ±.015		SIZE A2 CAGE CODE 00779		
4 PLC ±-		DRAWING NO C-863024		
ANGLES ±-		RESTRICTED TO		
FINISH BLACK		MATERIAL -		
CUSTOMER DRAWING				

863024