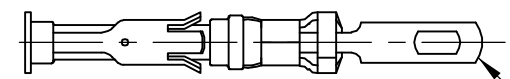


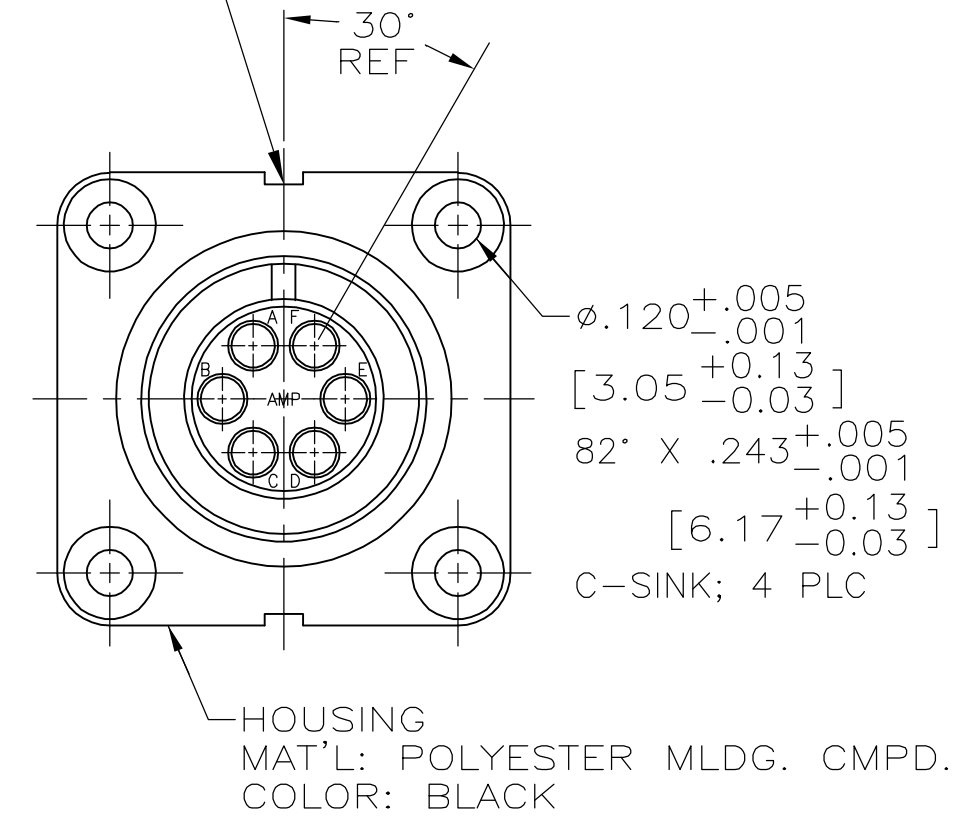
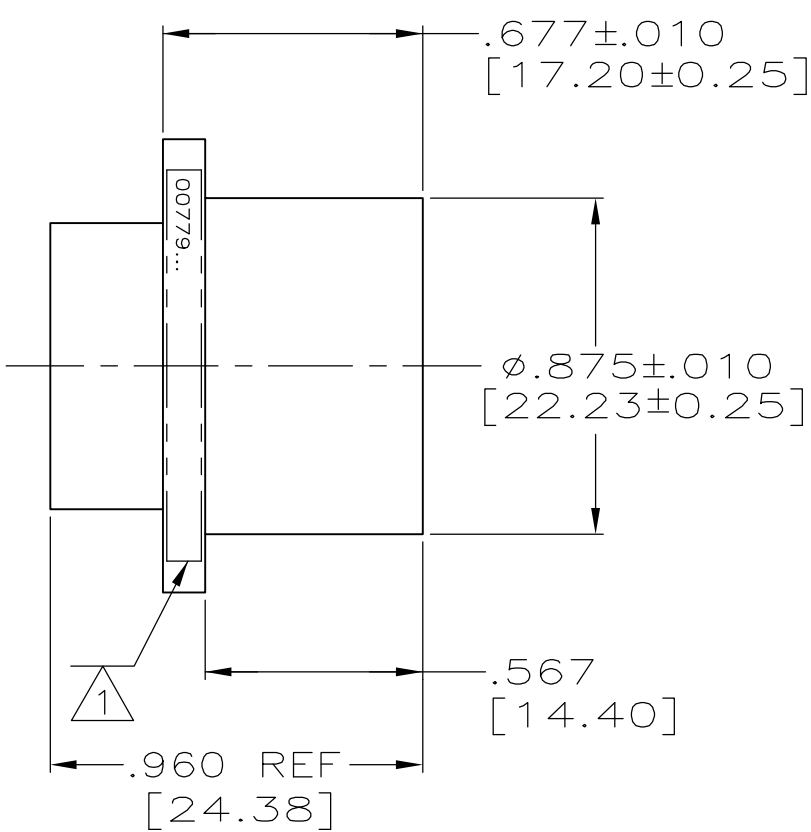
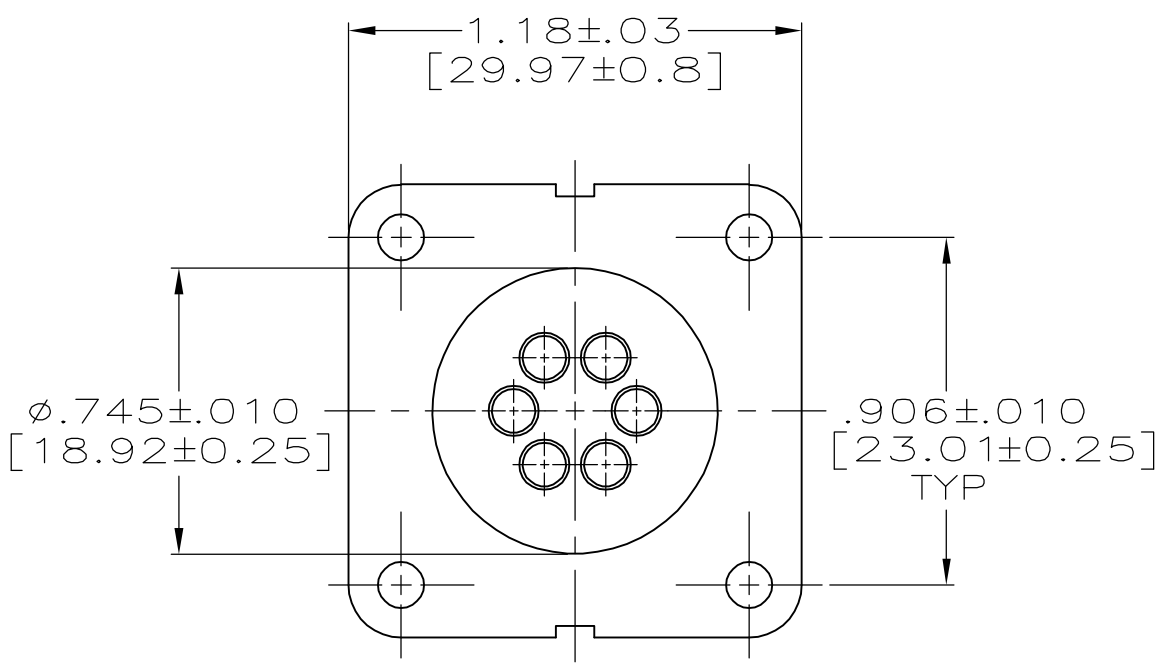
THIS DRAWING IS UNPUBLISHED. RELEASED FOR PUBLICATION - .N/A .
 © COPYRIGHT N/A BY TYCO ELECTRONICS CORPORATION. ALL RIGHTS RESERVED.

LOC	DIST	REVISIONS			
P	LTR	DESCRIPTION	DATE	DWN	APVD
DF	SO	G	REV PER ECO 06-14737	6-22-06	CT DE



SOCKET CONTACT SIZE #16 TYPE III+
 MAT'L: BRASS PER-ASTM-B-16
 FINISH: $\triangle 5 \triangle 6$

INDENTATION ALLOWED AT GATE
 2 PLC



- $\triangle 1$ MARKED PER MIL-STD-130.
- 2. FRONT FACE OF CONNECTOR WILL ACCEPT A PIN CONTACT CONNECTOR WHICH MATES WITH A MS3102A-14S-6S CONNECTOR.
- 3. HOUSING IS NOT PROVIDED WITH A THREADED FRONT SKIRT.
- $\triangle 4$ SAME AS 864900-2, EXCEPT NO C'SINK IN ϕ .120 MOUNTING HOLES.
- $\triangle 5$ PLATED 93/7 TIN-LEAD OR TIN PER ASTM-B-545 OVER NICKEL PER AMS-QQ-N-290.
- $\triangle 6$ PLATED TIN PER ASTM-B-545 OVER NICKEL PER AMS-QQ-N-290.

FINISH	REMARKS	PART NO.
$\triangle 6$	SUPPLIED W/CONTACTS	5-864900-1
-	$\triangle 4$	864900-4
-	SUPPLIED W/O CONTACTS	864900-2
$\triangle 5$	SUPPLIED W/CONTACTS	864900-1

THIS DRAWING IS A CONTROLLED DOCUMENT.		DWN C.C.THOMAS 05-NOV-92	Tyco Electronics Corporation Harrisburg, Pa 17105-3608	
DIMENSIONS: INCHES		CHK S.GLATFELTER 09-NOV-92		
TOLERANCES UNLESS OTHERWISE SPECIFIED:		APVD S.GLATFELTER 09-NOV-92	NAME RCPT. KIT	
ϕ 0 PLC ± - 1 PLC ± - 2 PLC ± - 3 PLC ± .005[0.13] 4 PLC ± - ANGLES ± -		PRODUCT SPEC -	6 POSN, LGH	
MATERIAL SEE CALLOUTS		APPLICATION SPEC -	MS3102A-14S-6S CONFIGURATION	
FINISH SEE CALLOUTS		WEIGHT -	SIZE A3	RESTRICTED TO -
		CUSTOMER DRAWING	CAGE CODE 00779	DRAWING NO C-864900
			SCALE 2:1	SHEET 1 OF 1
				REV G