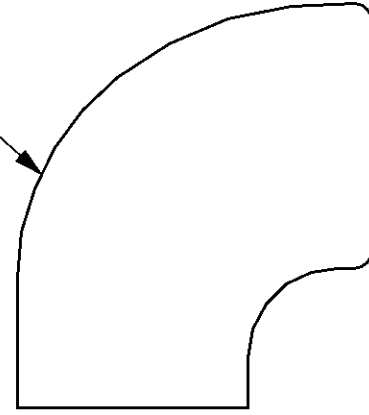


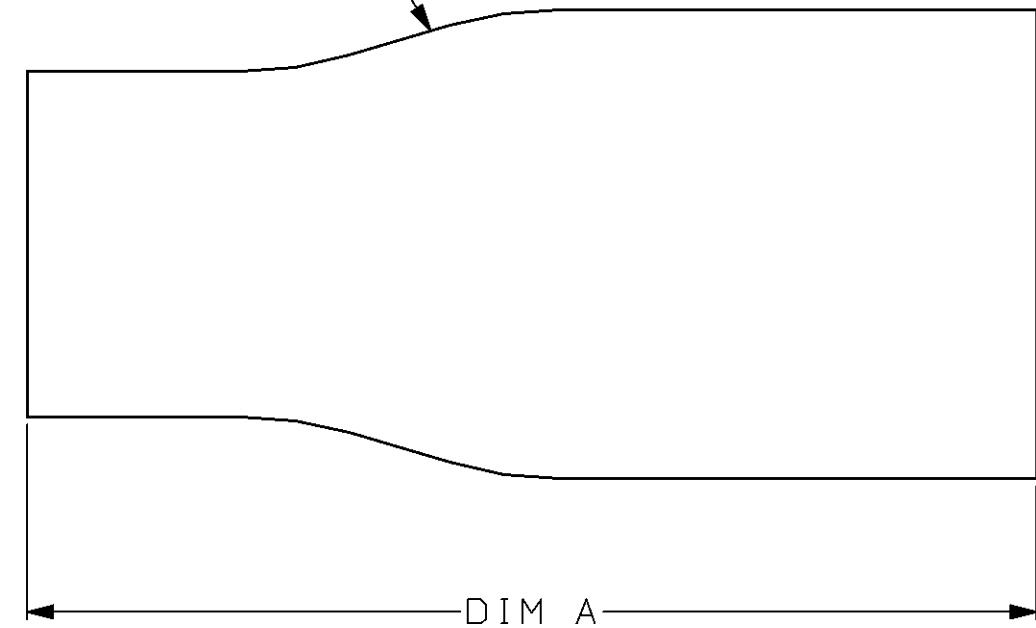
THIS DRAWING IS UNPUBLISHED. RELEASED FOR PUBLICATION, 19 .
 © COPYRIGHT 19 BY AMP INCORPORATED. ALL INTERNATIONAL RIGHTS RESERVED.

PROD 4081 CODE	LOC DF	DIST SO	P	F	REVISIONS					
					ZONE	LTR	DESCRIPTION	DATE	APPD	
					D		REV & REDRAWN; 0600-5507-96	CT	7-96	SG

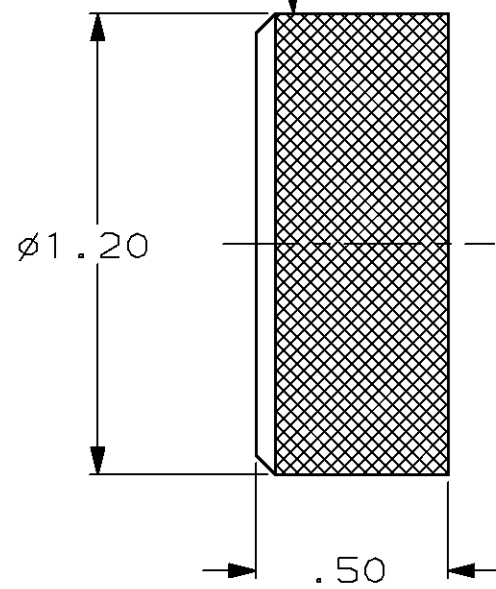
BOOT, SHRINKABLE, 90°
 MAT'L: POLYOLEFIN



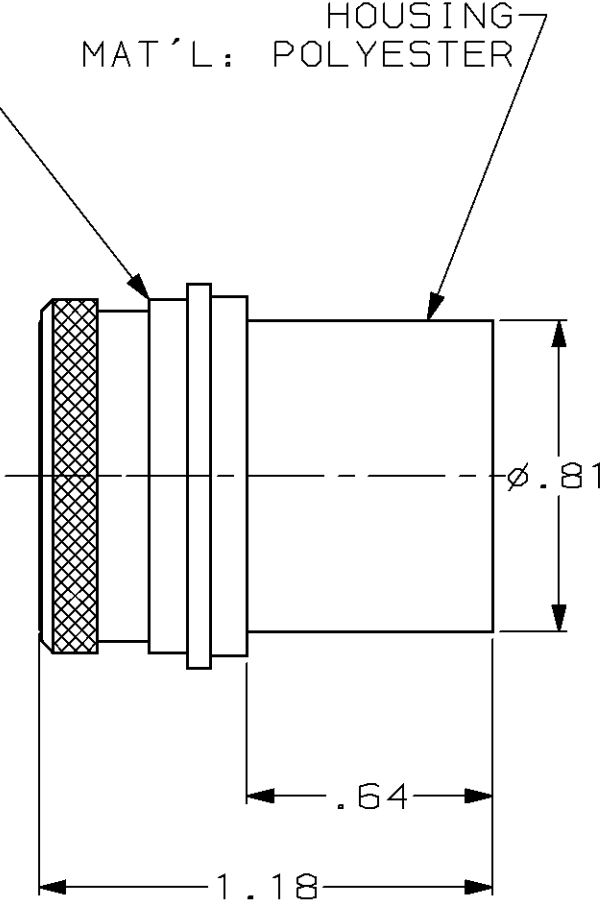
BOOT, SHRINKABLE, STRAIGHT
 MAT'L: POLYOLEFIN



CAP
 MAT'L: BRASS
 FINISH: NICKEL
 OVER COPPER FLASH

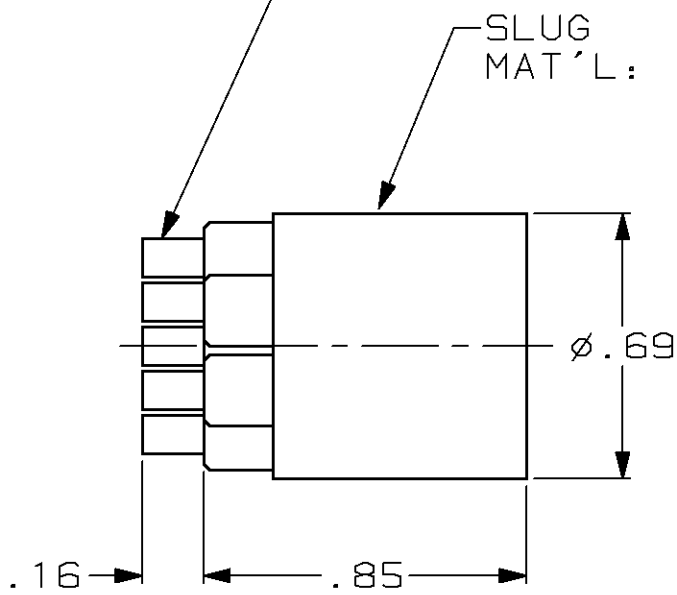


FERRULE
 MAT'L: BRASS
 FINISH: NICKEL
 OVER COPPER FLASH

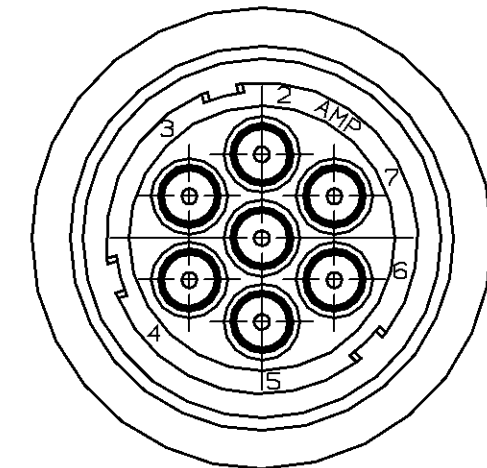


HOUSING
 MAT'L: POLYESTER

SOCKET END



SLUG
 MAT'L: SILICONE RUBBER



3.15	STRAIGHT SHRINKABLE BOOT	865656-4
-	NO SHRINKABLE BOOT	865656-3
-	90° SHRINKABLE BOOT	865656-2
2.63	STRAIGHT SHRINKABLE BOOT	865656-1
DIM A	DISCRIPTION	PART NUMBER

DO NOT SCALE PRINT. UNLESS SPECIFIED DIMENSIONS IN INCHES TOLERANCES ON : 2 PLC DEC ± .03 3 PLC DEC ± .015 ANGLES ± -	DR 7-15-96 C.C. THOMAS	AMP INCORPORATED Harrisburg, Pa. 17105			
	CHK 8-13-96 S. GLATFELTER			NAME	
	APPD 8-13-96 S. GLATFELTER	PLUG KIT, 7 PIN MINIATURE, LGH			
	MATERIAL SEE CALLOUTS	RLSE - C. THOMAS	SIZE C	FSCM NO 00779	DRAWING NO 865656
FINISH -	PRODUCT SPEC -	SCALE 2:1	SHEET 1 OF 1		
	APPLICATION SPEC -				
	WEIGHT -				