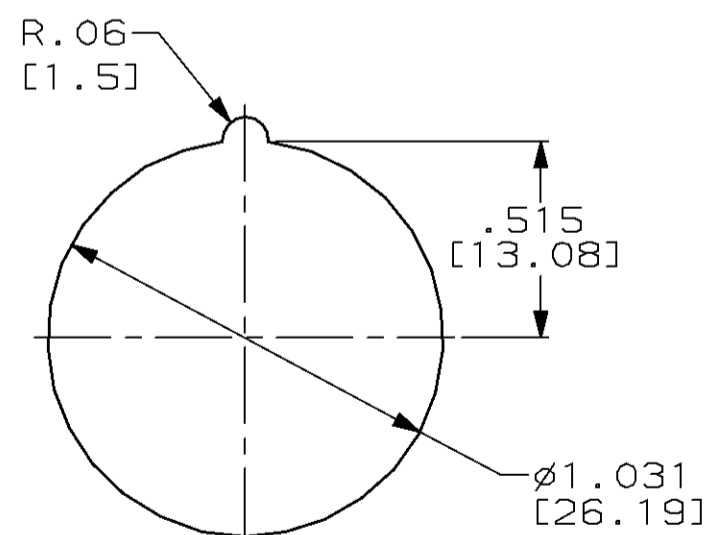
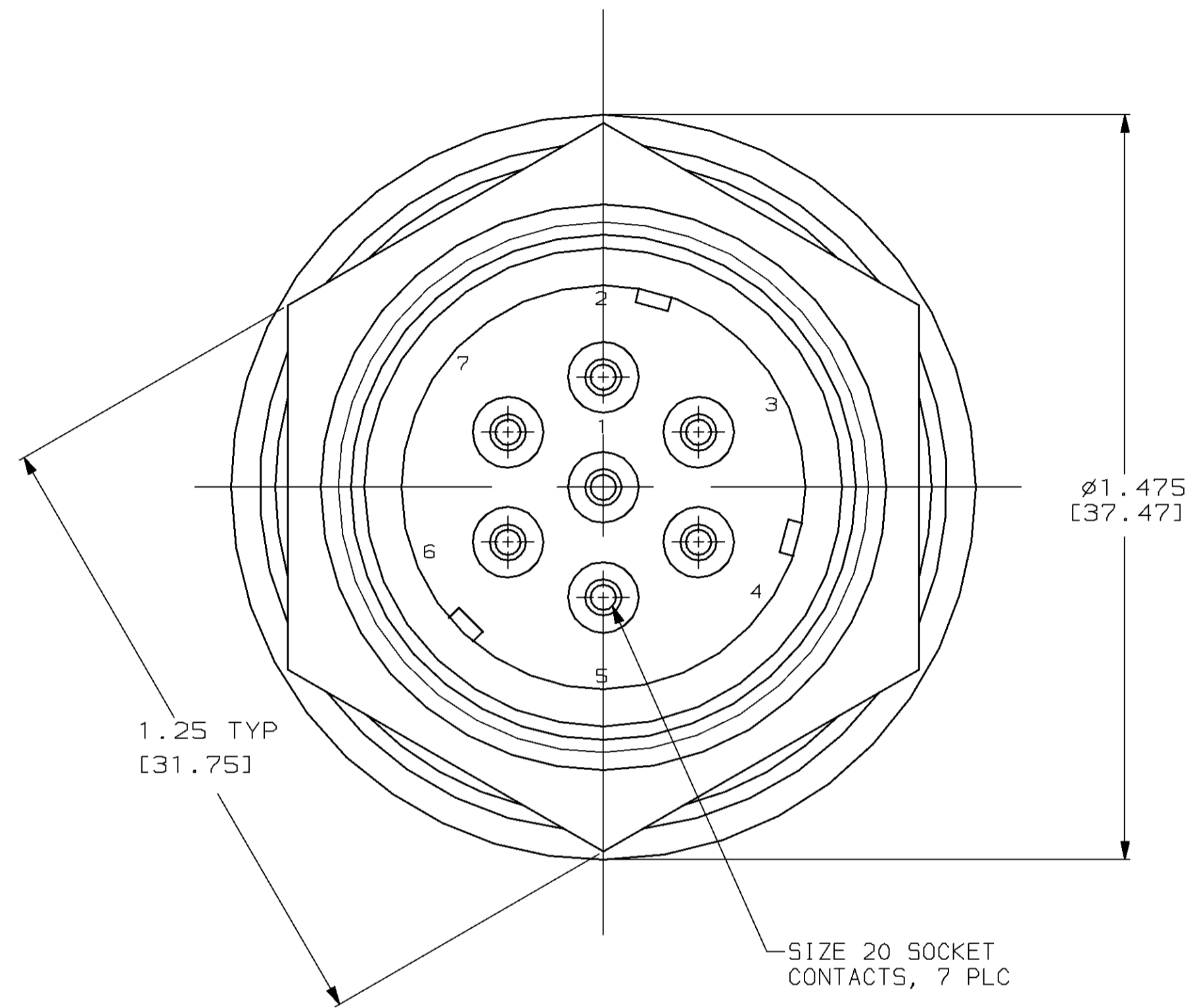
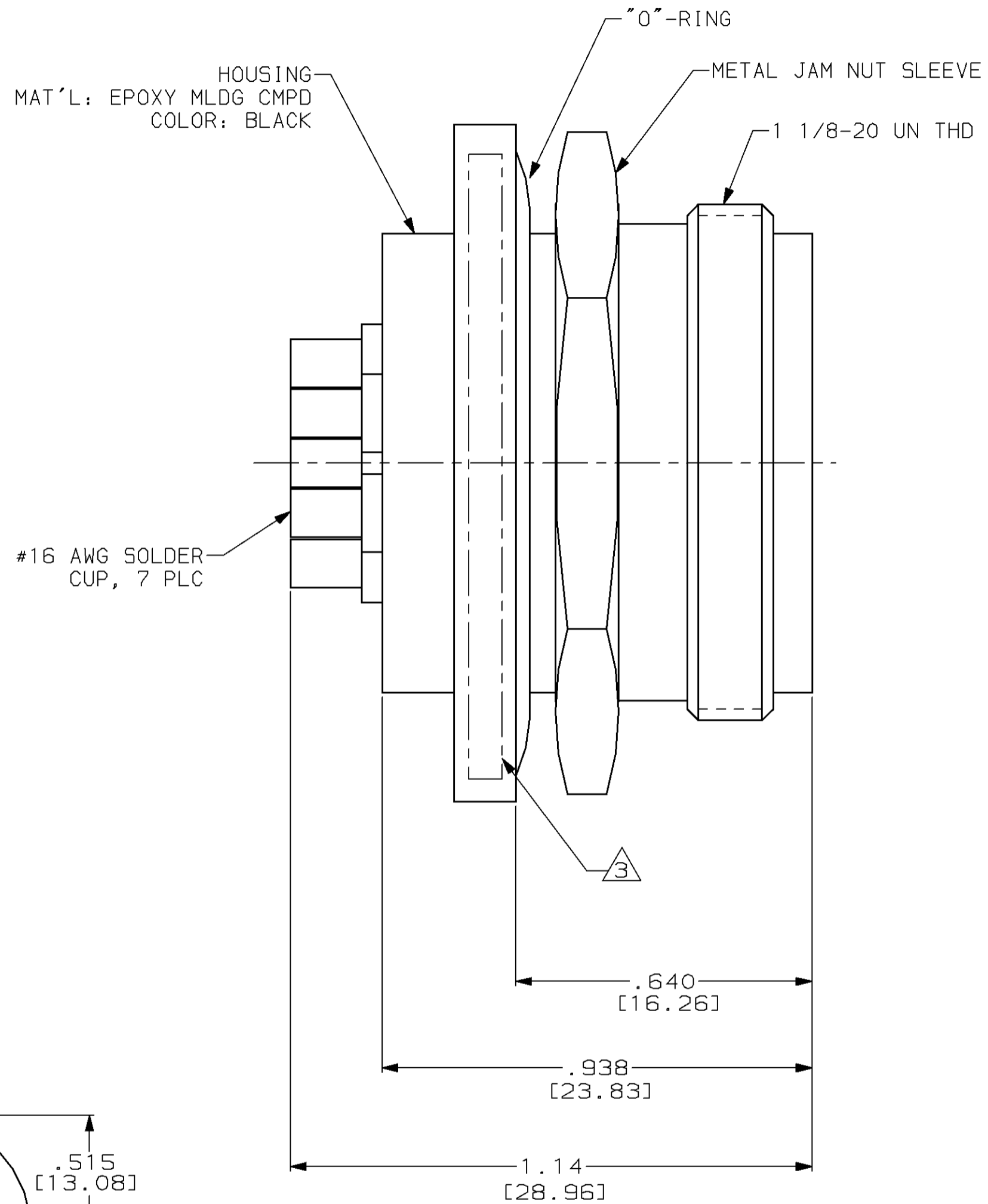


THIS DRAWING IS UNPUBLISHED. RELEASED FOR PUBLICATION  
 © COPYRIGHT 19 BY AMP INCORPORATED. ALL RIGHTS RESERVED.

LOC	DIST	REVISIONS			
P	LTR	DESCRIPTION	DATE	DWN	APVD
DF	SO	A	REV & REDRAWN; 0600-5547-96	7-96	CT SG



RECOMMENDED PANEL CUTOUT  
 1 SCALE 2:1

- 1 MAX PANEL THICKNESS: .125 [3.18].
- 2 THIS RECEPTACLE IS HERMETICALLY SEALED.
- 3 MARKED PER MIL-STD-130.

866182-1  
 PART NO.

THIS DRAWING IS A CONTROLLED DOCUMENT.		DWN C.C. THOMAS 7-29-96	AMP Incorporated Harrisburg, PA 17105-3608		
DIMENSIONS: INCHES [mm]		CHK S. GLATFELTER 8-13-96	AMP		
TOLERANCES UNLESS OTHERWISE SPECIFIED:		APVD S. GLATFELTER 8-13-96	NAME		
0 PLC ±-		PRODUCT SPEC		7 PIN MINIATURE RCPT KIT, LGH	
1 PLC ±-		APPLICATION SPEC		SIZE A2	
2 PLC ±.01 [0.3]		WEIGHT -		CAGE CODE 00779	
3 PLC ±.010 [0.25]		CUSTOMER DRAWING		DRAWING NO. C-866182	
4 PLC ±-		SCALE 4:1		SHEET 1 OF 1	
ANGLES ±-		REV A			
FINISH					
SEE CALLOUTS					