

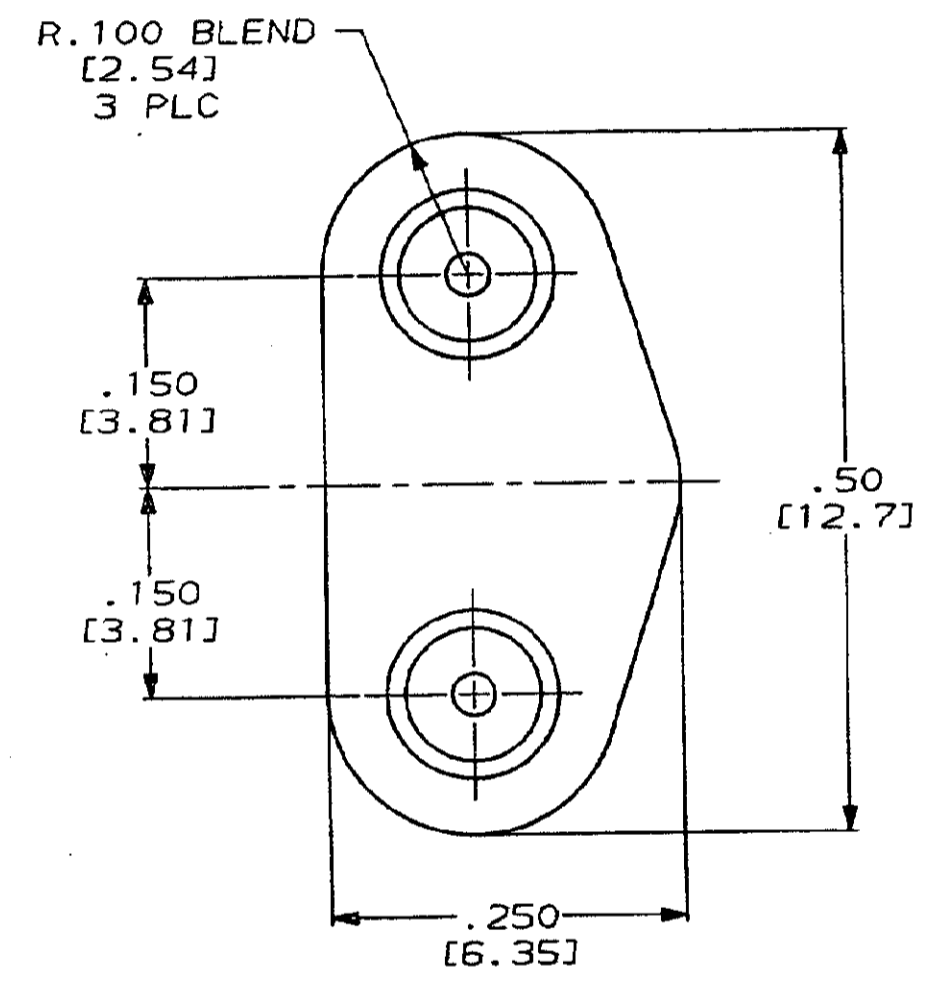
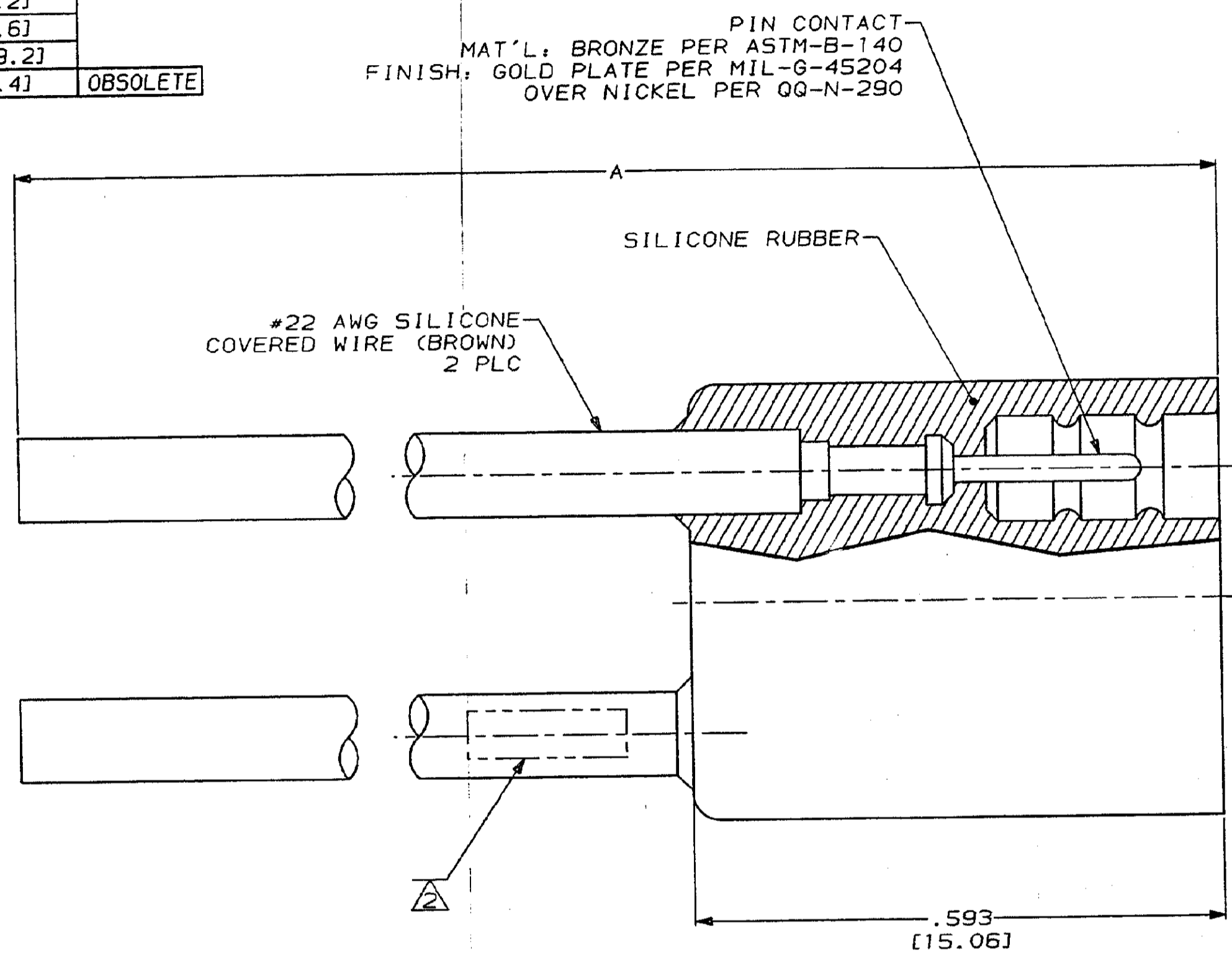
DRAWING MADE IN THIRD ANGLE PROJECTION

THIS DRAWING IS UNPUBLISHED. RELEASED FOR PUBLICATION
 © COPYRIGHT 19 BY AMP INCORPORATED. ALL INTERNATIONAL RIGHTS RESERVED.

PROD		LOC	DIST	REVISIONS				DATE	APPD
4081	DF	50		ZONE	LTR	DESCRIPTION			
				D		REACTIVATE -3 & REDRAW PER DF-5188 CT	8-91	SG	

PART NO.	A DIM	
866196-1	12.00 [304.8]	
866196-2	18.00 [457.2]	
866196-3	24.00 [609.6]	
866196-4	48.00 [1219.2]	
866196-5	16.00 [406.4]	OBSOLETE

PIN CONTACT
 MAT'L: BRONZE PER ASTM-B-140
 FINISH: GOLD PLATE PER MIL-G-45204
 OVER NICKEL PER QQ-N-290



① TOLERANCE: UP TO 24.00 [609.6] = ±.12 [±3.0]
 24.00 [609.6] & UP = 1%
 ② MARKED PER MIL-STD-130 IN APPROX. AREA SHOWN.

DO NOT SCALE PRINT. UNLESS SPECIFIED DIMENSIONS IN INCHES [mm] TOLERANCES ON: 2 PLC DEC ±.02 [0.51] 3 PLC DEC ±.005 [0.13] ANGLES ± -	DR 8-9-91 C.C.THOMAS	AMP AMP Incorporated Harrisburg, PA 17105-3608		
	CHK 8-20-91 S.GLATFELTER			
	APPD 6-20-91 S.GLATFELTER	NAME		
	APPD 8-20-91 C.THOMAS	RCPT, LGH, 2 POSN, MICRO-MIN		
MATERIAL SEE CALLOUTS	PRODUCT SPEC -	SIZE C	CAGE CODE 00779	DRAWING NO 866196
FINISH SEE CALLOUTS	APPLICATION SPEC -	SCALE 8:1		SHEET 1 OF 1
WEIGHT -				

CUSTOMER DRAWING