

DRAWING MADE IN THIRD ANGLE PROJECTION

3

2

1

LOC L 37 DIST 37

THIS DRAWING IS UNPUBLISHED. RELEASED FOR PUBLICATION . 19 .  
 © COPYRIGHT 19 BY AMP INCORPORATED, HARRISBURG, PA. ALL INTERNATIONAL RIGHTS RESERVED. AMP PRODUCTS MAY BE COVERED BY U.S. AND FOREIGN PATENTS AND/OR PATENTS PENDING.

REVISIONS					
P	F	ZONE	LTR	DESCRIPTION	DATE APPROVED
		0		RELEASED WAS SK-01930A-2	RN 7/2/81 M.B.
		A		REV. & ADDED DIM.	RN 7/2/81 M.B.

PART NO.	FIG.	A DIM
867157-1	I	.115 DIA.
867157-2	II	.170 DIA.

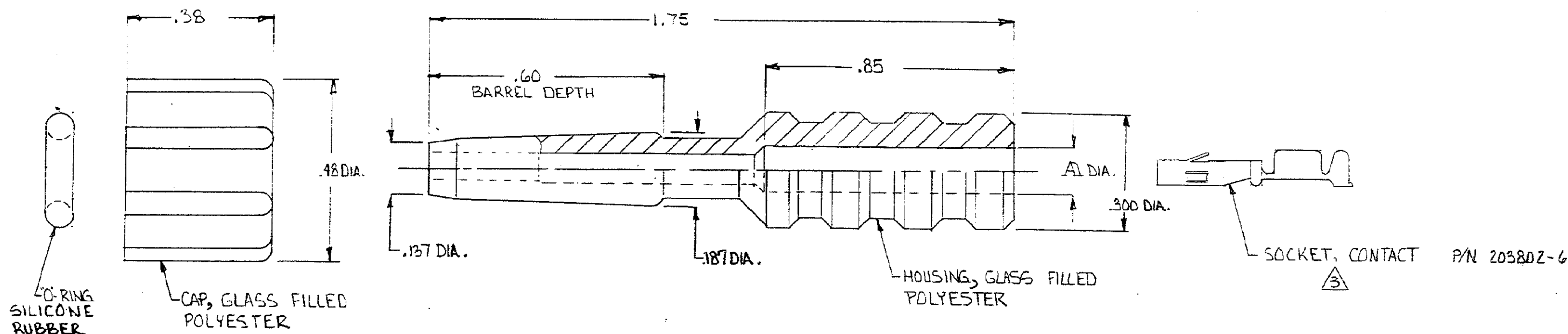
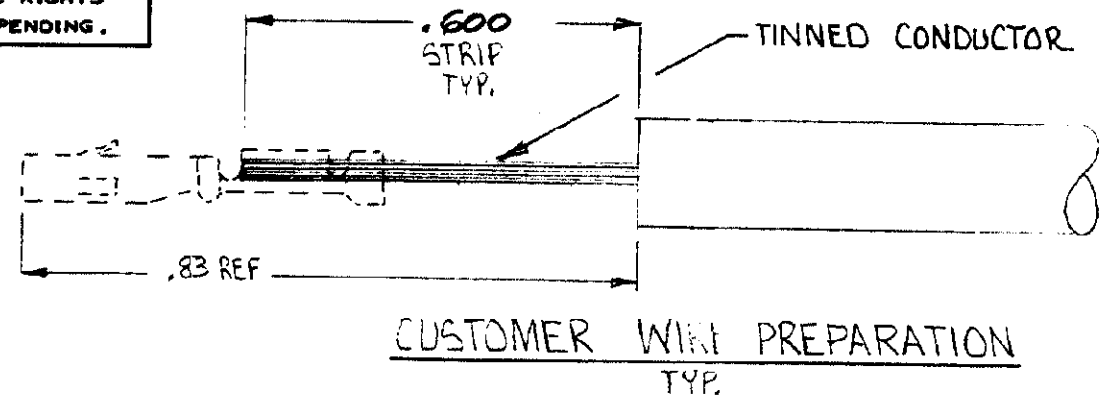


FIG. I

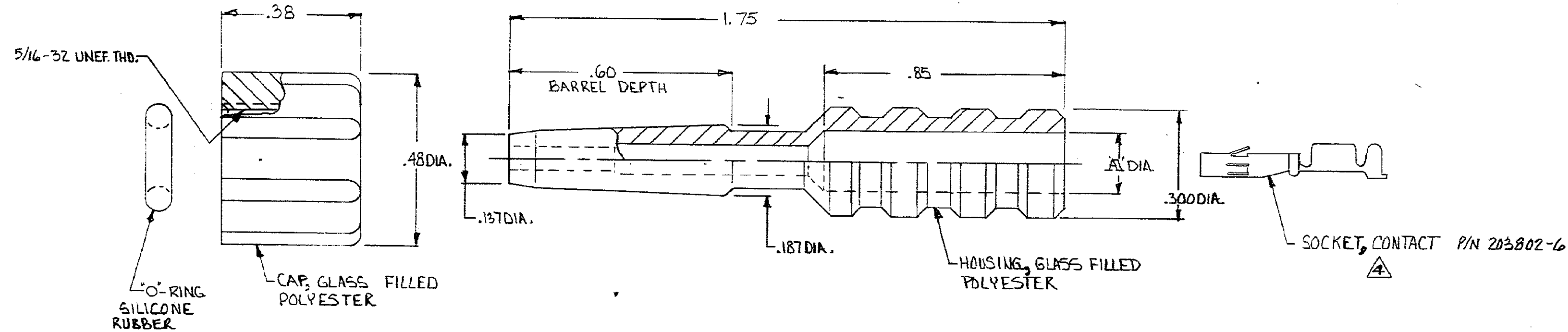


FIG. II

- HAND TOOL: AMP 90260-1
- EXTRACTION TOOL: AMP 91038-3
- CONTACT TO ACCEPT #20-#22 AWG. WIRE, WITH MAX. INSULATION DIA. OF .105
- CONTACT TO ACCEPT #20-#22 AWG. WIRE, WITH MAX. INSULATION DIA. OF .160
- TO MATE WITH 867156 & 867158

UNLESS OTHERWISE SPECIFIED DIMENSIONS ARE IN INCHES. TOLERANCES ON: DECIMALS .XX ± .03 ANGLES .XXX ± .015		CONTRACT NO		PART NO	
MATERIAL		DR <i>M. J. 7-6-81</i>		AMP INCORPORATED Harrisburg, Pa. 17105	
FINISH		CHK		NAME	
		APPD <i>M. Gardner 7/2/81</i>		COMMERCIAL PLUG KIT	
		DSGN APPD		LGH	
		OTHER APPD		DRAWING NO	
		SIZE C		867157	
		FSCM NO 00779		SHEET 16/17 REV A	
		SCALE		DRAWING NO	

CUSTOMER DRAWING