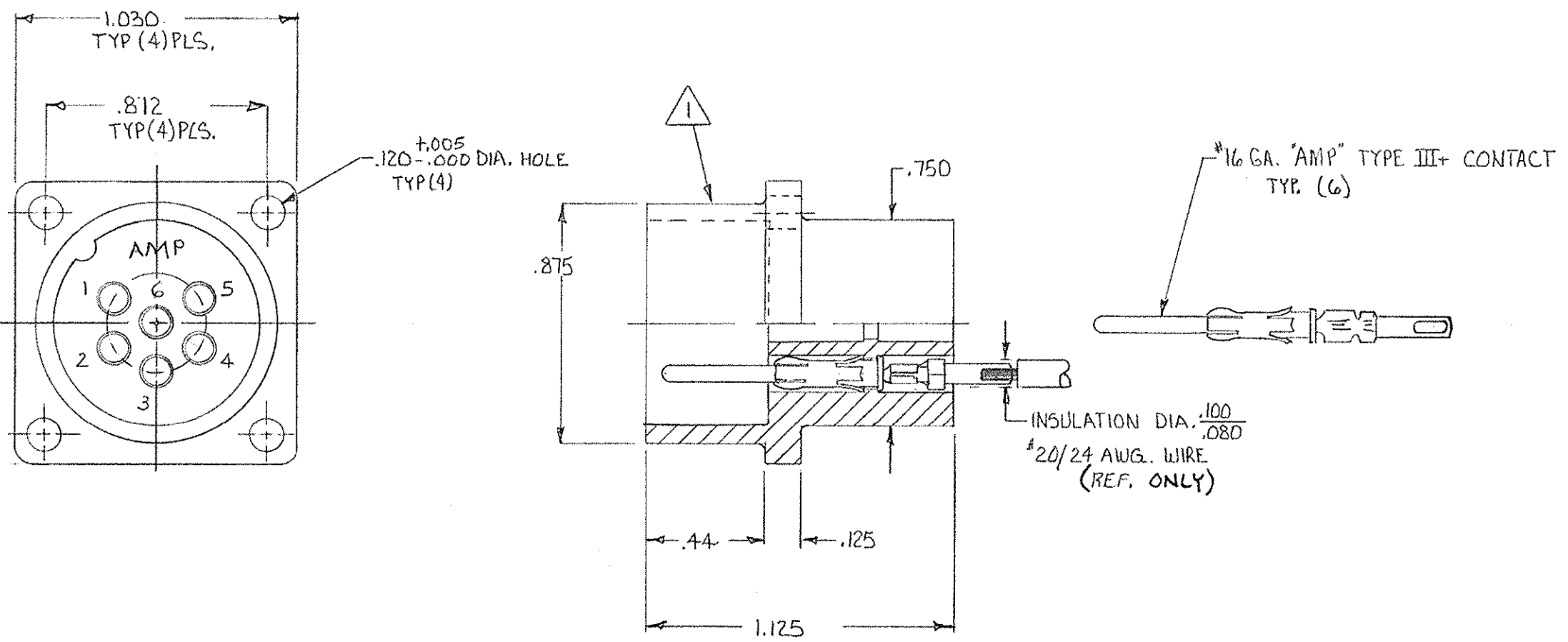


THIS DRAWING IS UNPUBLISHED. RELEASED FOR PUBLICATION, 19 .
 © COPYRIGHT 19 BY AMP INCORPORATED, HARRISBURG, PA. ALL INTERNATIONAL RIGHTS RESERVED. AMP PRODUCTS MAY BE COVERED BY U.S. AND FOREIGN PATENTS AND/OR PATENTS PENDING.

REVISIONS						
P	F	ZONE	LTR	DESCRIPTION	DATE	APPROVED
	✓		0	RELEASED WAS SK-01955A RN	12/1/81	M. J.
	✓		A	REV. CONTACT ECM 9512 EN	7/26/82	M. J.
			B	REV PER OH14-0192-05	1-06	PY



1. HOUSING IS NOT PROVIDED WITH THREADED FRONT SKIRT
 2. KIT CONSIST OF ONE (1) RECEPTACLE & 6 PIN CONTACTS.

TIN PER ASTM-B-545	5-867298-1
93 7 TIN-LEAD	867298-1
CONTACT FINISH	PART NO

UNLESS OTHERWISE SPECIFIED DIMENSIONS ARE IN INCHES. TOLERANCES ON: DECIMALS ±.03 ANGLES ±.015	CONTRACT NO	AMP AMP INCORPORATED Harrisburg, Pa. 17105		
	DR <i>W. May</i> 7/30/81			
MATERIAL VALOX 420-SED	CHK	NAME 6 POSITION RECEPTACLE KIT (WK6-325 CONFIGURATION) LGH		
FINISH BLACK	APPD <i>M. Gardner</i> 7/30/81	SIZE C	FSCM NO 00779	DRAWING NO 867298
	DSGN APPD	SCALE	SHEET 1 of 1	
	OTHER APPD			