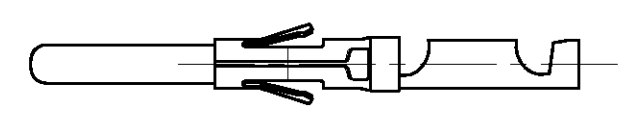
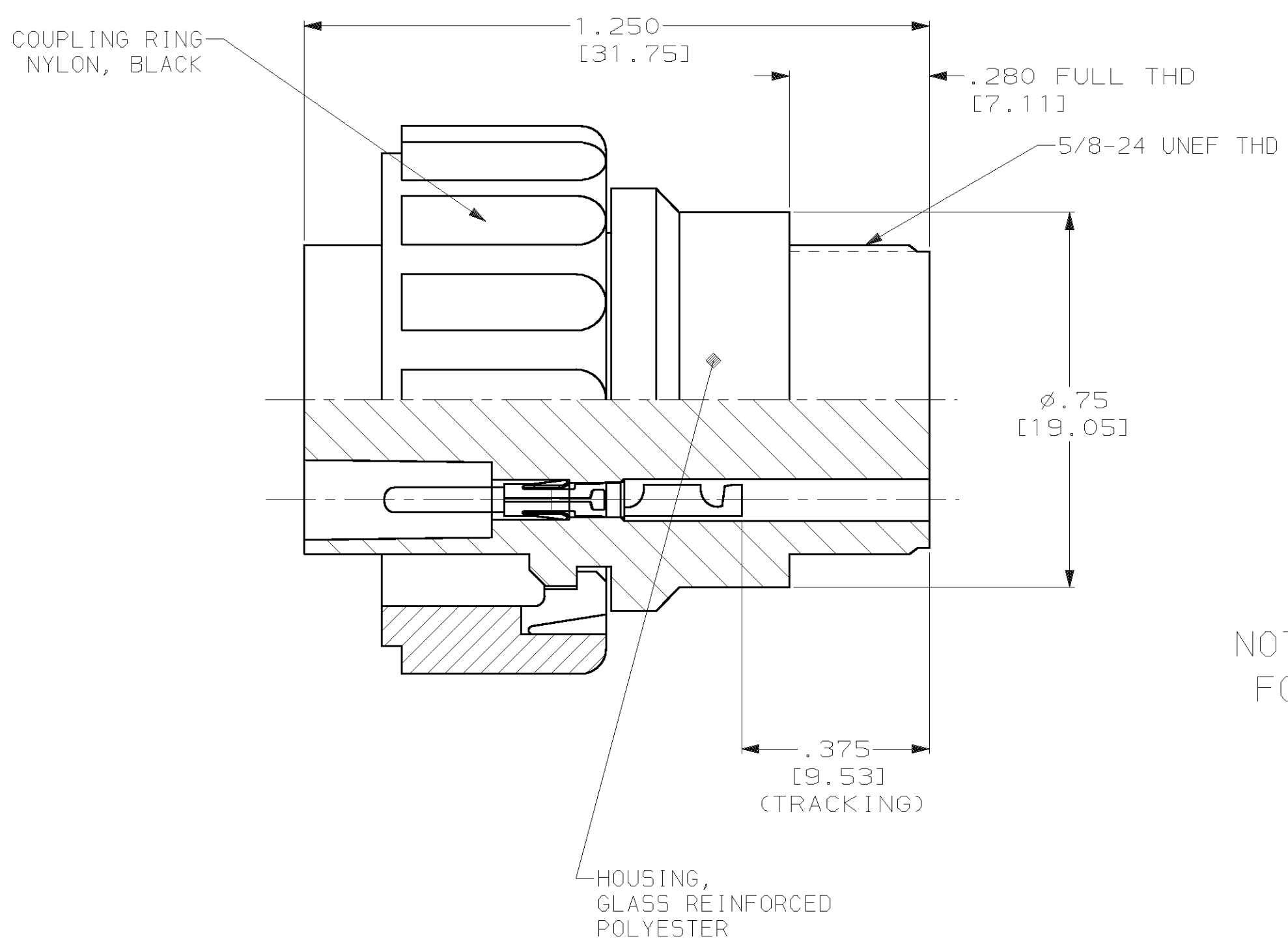
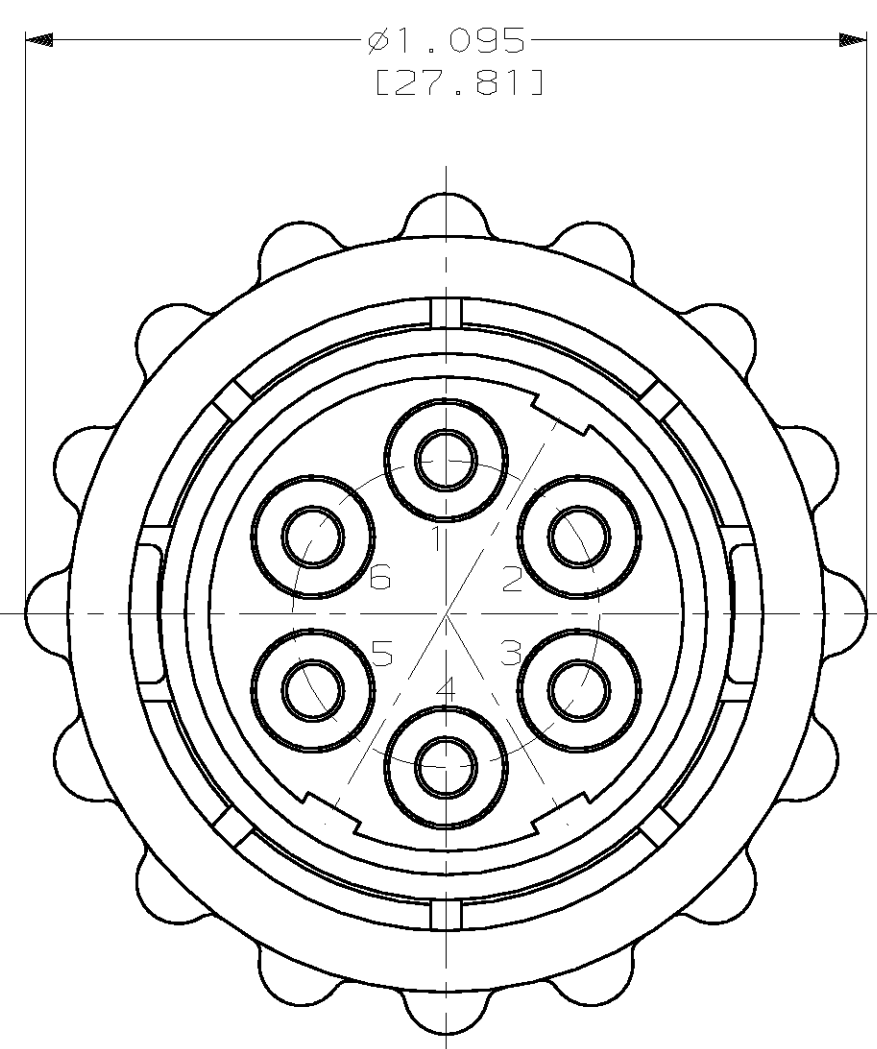


THIS DRAWING IS UNPUBLISHED. RELEASED FOR PUBLICATION  
 BY AMP INCORPORATED. ALL RIGHTS RESERVED.

LOC		DIST		REVISIONS			
P	LTR	DESCRIPTION	DATE	DWN	APVD		
DF	50	B	REV PER 0600-7769-98	10-98	TT DE		
		C	REV PER 063D-0214-01	01/02	DBK DE		

- ① 6 PINS, TIN PLATED .00015 MIN. THK.  
PART NUMBER 203816-5 (STRIP) OR 203816-6 (LOOSE PIECE).  
PURCHASED SEPARATELY NOT SUPPLIED WITH PLUG KIT.
- 2. RECOMMENDED WIRE 20 - 24 AWG TEFLON COVERED  
WIRE .065 DIAMETER MAX (10 KVDC).  
GORE: F01A050, F01A060 (SUPPLIED BY CUSTOMER).
- 3. BACK END OF CONNECTOR SHOULD BE POTTED  
OR PROTECTED AGAINST ARC\_OVER OR BREAKDOWN  
WHEN OPERATING ABOVE 5KVDC.



PIN TYPE (6) ①  
NOT SUPPLIED WITH PLUG KIT  
FOR WIRE RANGE 20-24 AWG

<small>THIS DRAWING IS A CONTROLLED DOCUMENT FOR AMP INCORPORATED. IT IS SUBJECT TO CHANGE AND THE CONTROLLING ENGINEERING ORGANIZATION SHOULD BE CONTACTED FOR THE LATEST REVISION.</small>		DWN: T. THOMPSON 08-24-95 CHK: C. SHELLY 08-25-95 APVD: C. SHELLY 08-25-95	<b>AMP</b> AMP Incorporated Harrisburg, PA 17105-3608
DIMENSIONS: IN [mm]	TOLERANCES UNLESS OTHERWISE SPECIFIED: 0 PLC ±- 1 PLC ±- 2 PLC ±.03 [0.76] 3 PLC ±.015 [0.38] 4 PLC ±- ANGLES ±- FINISH -	PRODUCT SPEC: - APPLICATION SPEC: - WEIGHT: -	<b>6 POSITION PLUG KIT CPC STYLE LGH</b>
MATERIAL: -	FINISH: -	CUSTOMER DRAWING	SIZE: A2 CAGE CODE: 00779 DRAWING NO: C=867534 SCALE: 4:1 SHEET 1 OF 1 REV C