

DRAWING MADE IN THIRD ANGLE PROJECTION

THIS DRAWING IS UNPUBLISHED.

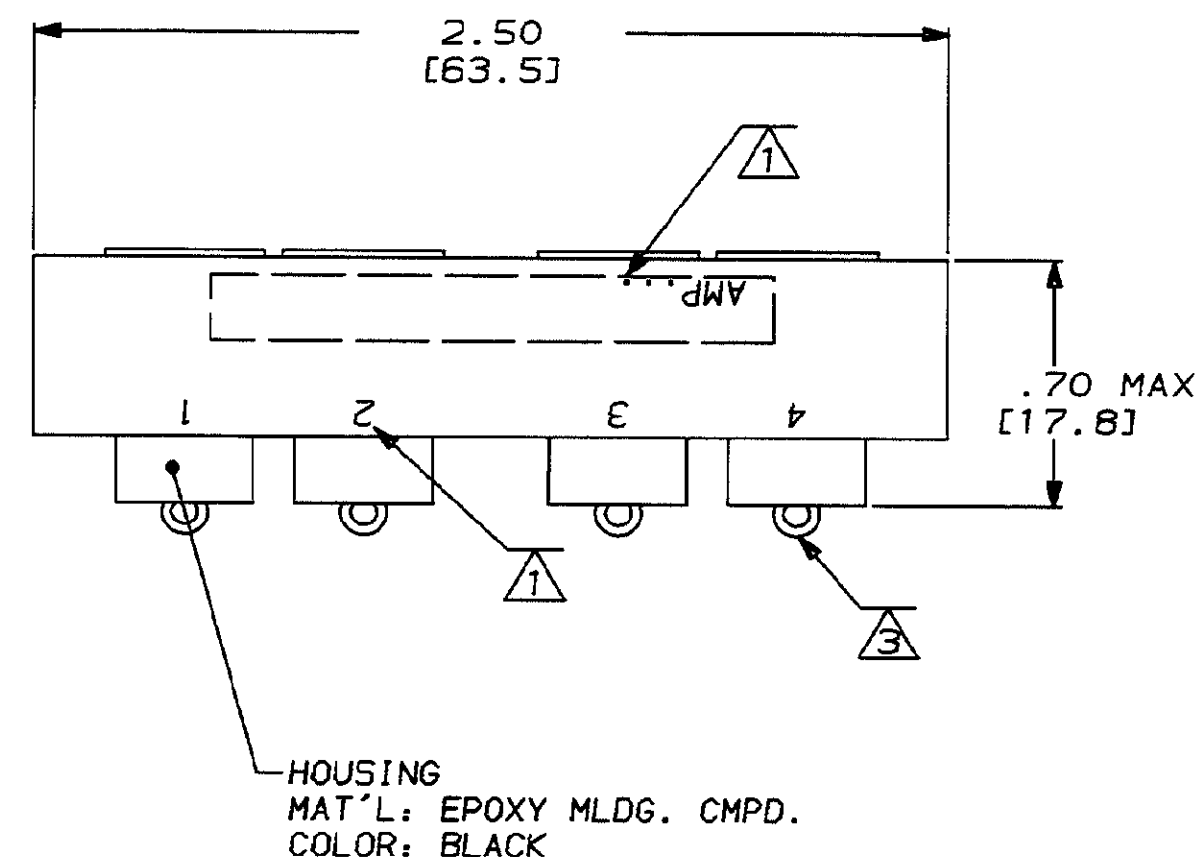
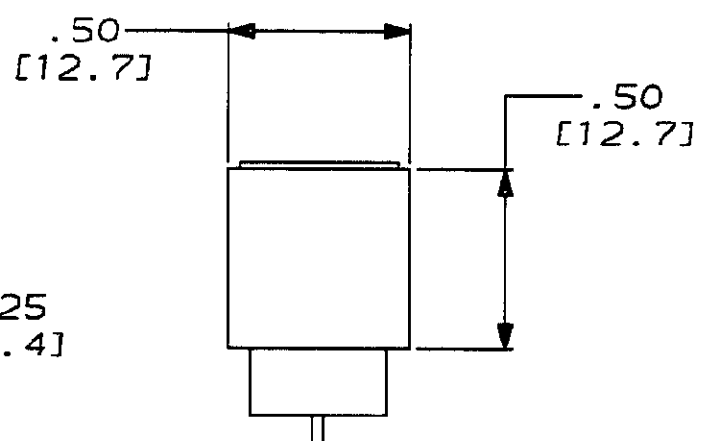
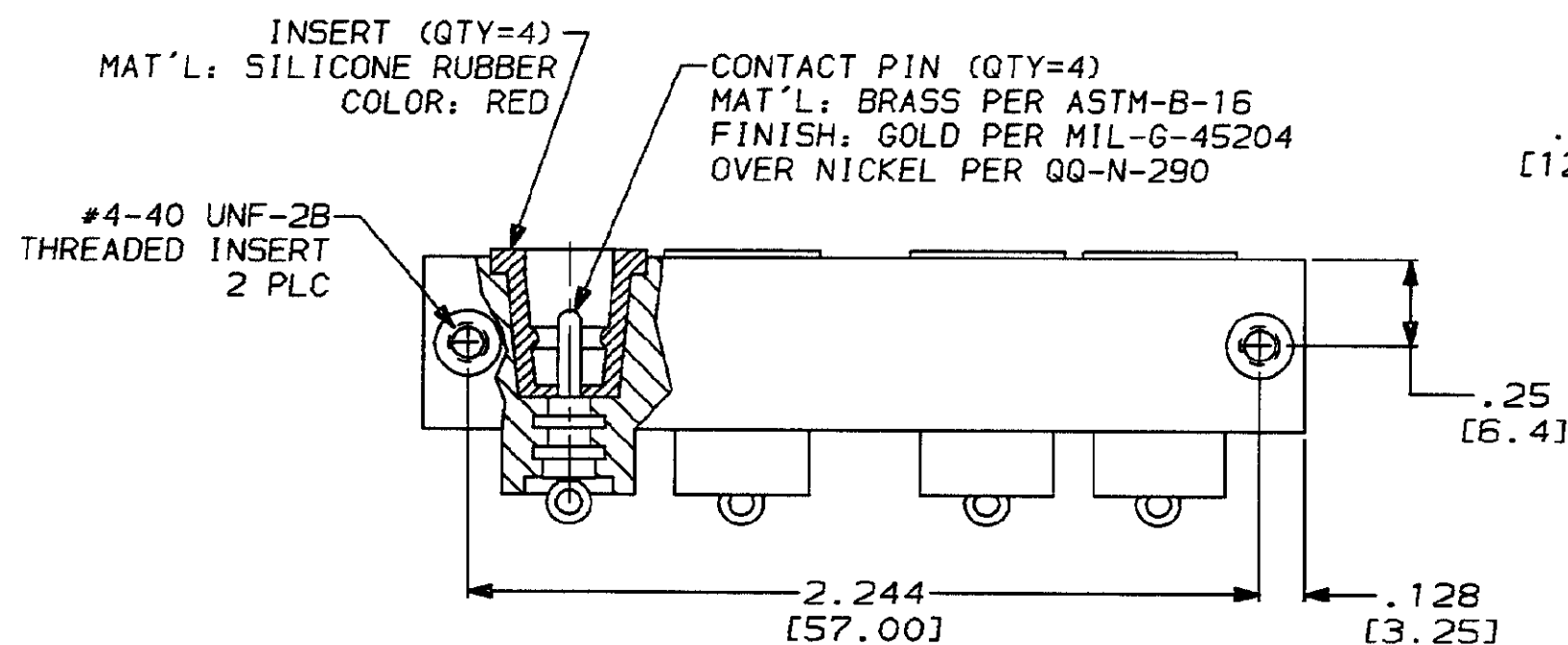
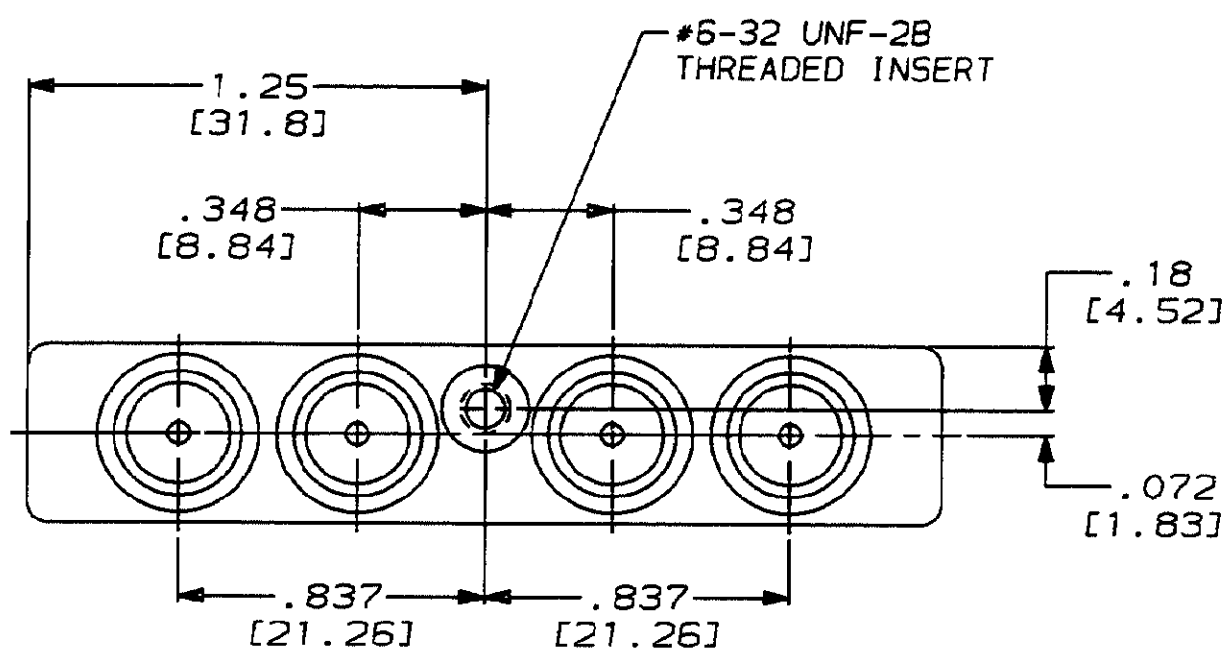
RELEASED FOR PUBLICATION

.19

© COPYRIGHT 19

BY AMP INCORPORATED. ALL INTERNATIONAL RIGHTS RESERVED.

PROD CODE	LOC	DIST	P	F	REVISIONS					
					ZONE	LTR	DESCRIPTION	DATE	APPO	
4087	DF	SO			B		REV & REDRAWN PER DF-5893	CT	11-92	SG



- ① MARKED PER MIL-STD-130.
- 2. REQUIREMENTS: 31 KVDC AT SEA LEVEL FOR 2 MIN. IR: 5000 MEGOHMS MIN.
- ③ PIN CONTACT EYELETS ARE PRE-TINNED PER MIL-T-10727.

THIS DRAWING IS A CONTROLLED DOCUMENT FOR AMP INCORPORATED. IT IS SUBJECT TO CHANGE AND THE CONTROLLING ENGINEERING ORGANIZATION SHOULD BE CONTACTED FOR THE LATEST REVISION.

DO NOT SCALE PRINT.
UNLESS SPECIFIED
DIMENSIONS IN INCHES [mm]
TOLERANCES ON:
2 PLC DEC ± .02 [0.5]
3 PLC DEC ± .010 [0.25]
ANGLES ± -

MATERIAL
SEE CALLOUTS

FINISH
SEE CALLOUTS

DR 11-5-92
C.C. THOMAS

CHK 11-9-92
S. GLATFELTER

APPD 11-9-92
S. GLATFELTER

APPD 11-9-92
C.C. THOMAS

PRODUCT SPEC

APPLICATION SPEC

WEIGHT -

AMP AMP Incorporated
Harrisburg, PA 17105-3608

NAME
RCPT. BLOCK, 4 POSN., LGH

SIZE C CAGE CODE 00779 DRAWING NO C-867948

SCALE 21:1 SHEET 1 OF 1

867948-1

PART NO