

# 3M™ Pak 50 Wiremount Socket

.050" Wiremount Socket for .025" Pitch Cable

P25E Series



- P25E connector terminates 30 AWG stranded 0.635 mm (25 mil) pitch flat PVC cable (3754 series)
- Daisy chain capability
- Designed to mate with P50 series IDC boardmount connectors
- Latch/eject mechanism maintains a secure connection
- Cable strain relief standard
- Finished cable assemblies to customer specifications available
- Tooling available for customer cable assembly termination
- RoHS\* compliant

Date Modified: December 13, 2006

TS-1141-05  
Sheet 1 of 2

## Physical

### Insulation

Material: Glass Filled Nylon  
Flammability: UL 94V-0  
Color: Black

### Contact

Material: Phosphor Bronze

### Plating

Underplating: Nickel  
Wiping Area: .025 $\mu$ m [ 10  $\mu$ " ] gold  
Termination Area: Gold flash (RoHS compliant)  
Wire Accommodation: 30 AWG Stranded PVC Flat Ribbon Cable (3M #3754 or approved alternate)

## Electrical

**Current Rating:** 0.5 A  
**Insulation Resistance:** 10<sup>3</sup>  $\Omega$  at 250 V<sub>DC</sub>  
**Withstanding Voltage:** 300 V<sub>AC</sub> for 1 minute

## Environmental

**Temperature Rating:** -55°C to +85°C

\*"RoHS compliant" means that the product or part does not contain any of the following substances in excess of the following maximum concentration values in any homogeneous material, unless the substance is in an application that is exempt under RoHS: (a) 0.1% (by weight) for lead, mercury, hexavalent chromium, polybrominated biphenyls or polybrominated diphenyl ethers; or (b) 0.01% (by weight) for cadmium. Unless otherwise stated in writing by 3M, this information represents 3M's knowledge and belief based on information provided by third party suppliers to 3M.

UL File No.: E68080

# 3M™ Pak 50 Wiremount Socket

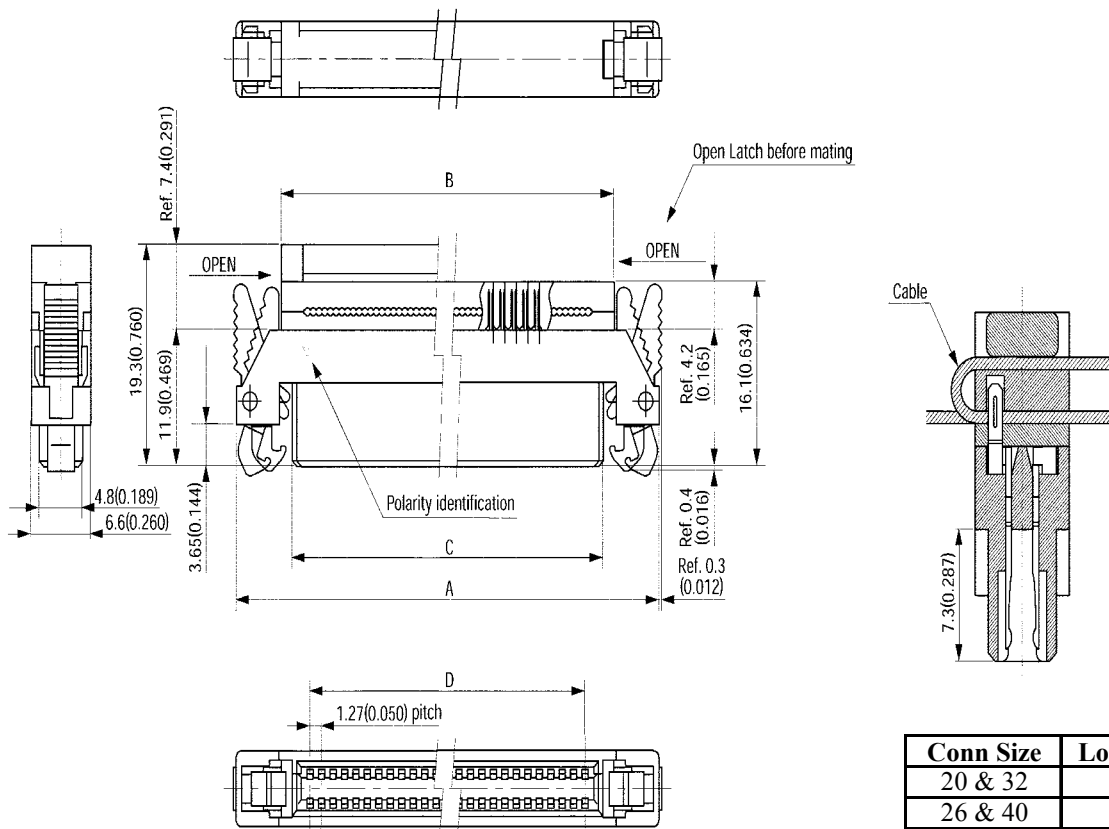
.050" Wiremount Socket for .025" Pitch Cable

P25E Series

Product Table / Dimensions

Contact Quantity	A	B	C	D
20	27.83	17.83	15.43	11.43
	[1.096]	[0.702]	[0.607]	[0.450]
26	31.64	21.64	19.24	15.24
	[1.246]	[0.852]	[0.757]	[0.600]
30	34.18	24.18	21.78	17.78
	[1.346]	[0.952]	[0.857]	[0.700]
32	35.45	25.45	23.05	19.05
	[1.396]	[1.002]	[0.907]	[0.750]
34	36.72	26.72	24.32	20.32
	[1.446]	[1.052]	[0.957]	[0.800]
40	40.53	30.53	28.13	24.13
	[1.596]	[1.202]	[1.107]	[0.950]

Contact Quantity	A	B	C	D
50	46.88	36.88	34.48	30.48
	[1.846]	[1.452]	[1.357]	[1.200]
60	53.23	43.23	40.83	36.83
	[2.096]	[1.702]	[1.607]	[1.450]
68	58.31	48.31	45.91	41.91
	[2.296]	[1.902]	[1.807]	[1.650]
80	65.93	55.93	53.53	49.53
	[2.596]	[2.202]	[2.107]	[1.950]
100	78.63	68.63	66.23	62.23
	[3.096]	[2.702]	[2.607]	[2.450]



Conn Size	Locator Plate PN
20 & 32	3443-127A
26 & 40	3443-127B
30 & 50	3443-127C
34 & 60	3443-127D
68	3443-127E
80 & 100	3443-127F

Note: Strain relief standard.

## Ordering Information

**P25E - XXXS - EA**

Contact Quantity  
See Table

Application tools: Press: 3640 (or equivalent); See application tooling chart above for locator plate; Platen - 3442-126.

TS-1141-05  
Sheet 2 of 2

## Important Notice

All statements, technical information, and recommendations related to 3M's products are based on information believed to be reliable, but the accuracy or completeness is not guaranteed. Before using this product, you must evaluate it and determine if it is suitable for your intended application. You assume all risks and liability associated with such use. Any statements related to the product which are not contained in 3M's current publications, or any contrary statements contained on your purchase order shall have no force or effect unless expressly agreed upon, in writing, by an authorized officer of 3M.



### 3M Electronics

6801 River Place Blvd.  
Austin, TX 78726-9000  
800/225-5373  
[www.3M.com/electronics](http://www.3M.com/electronics)

## Warranty; Limited Remedy; Limited Liability.

This product will be free from defects in material and manufacture for a period of one (1) year from the time of purchase. **3M MAKES NO OTHER WARRANTIES INCLUDING, BUT NOT LIMITED TO, ANY IMPLIED WARRANTY OF MERCHANTABILITY OR FITNESS FOR A PARTICULAR PURPOSE.** If this product is defective within the warranty period stated above, your exclusive remedy shall be, at 3M's option, to replace or repair the 3M product or refund the purchase price of the 3M product. **Except where prohibited by law, 3M will not be liable for any indirect, special, incidental or consequential loss or damage arising from this 3M product, regardless of the legal theory asserted.**



Minimum 10%  
Post-Consumer Fiber

Printed in USA.

© 3M 2006