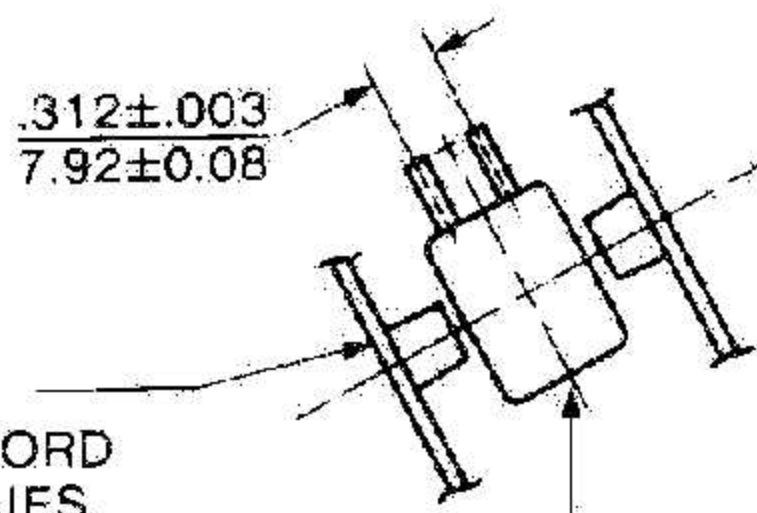
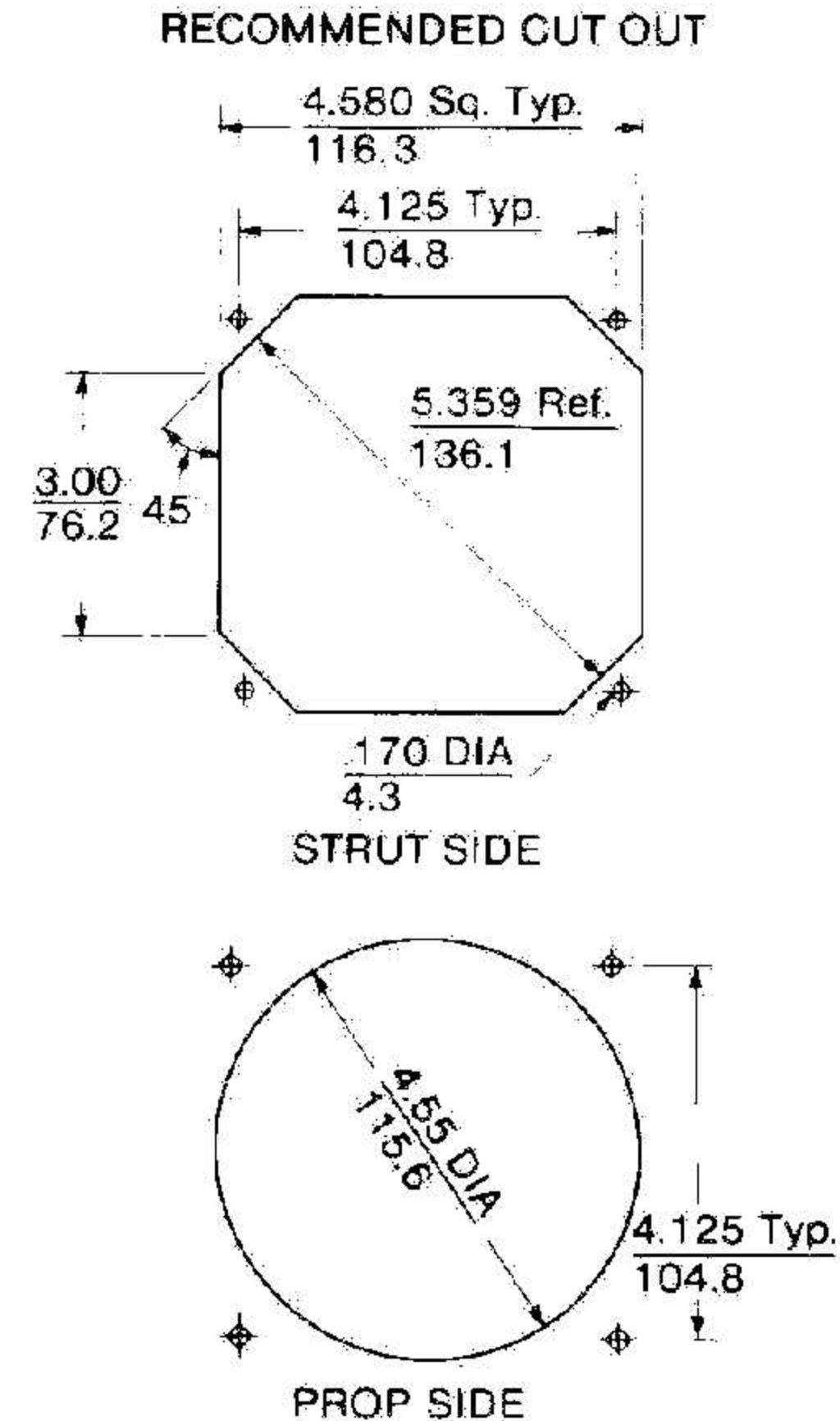
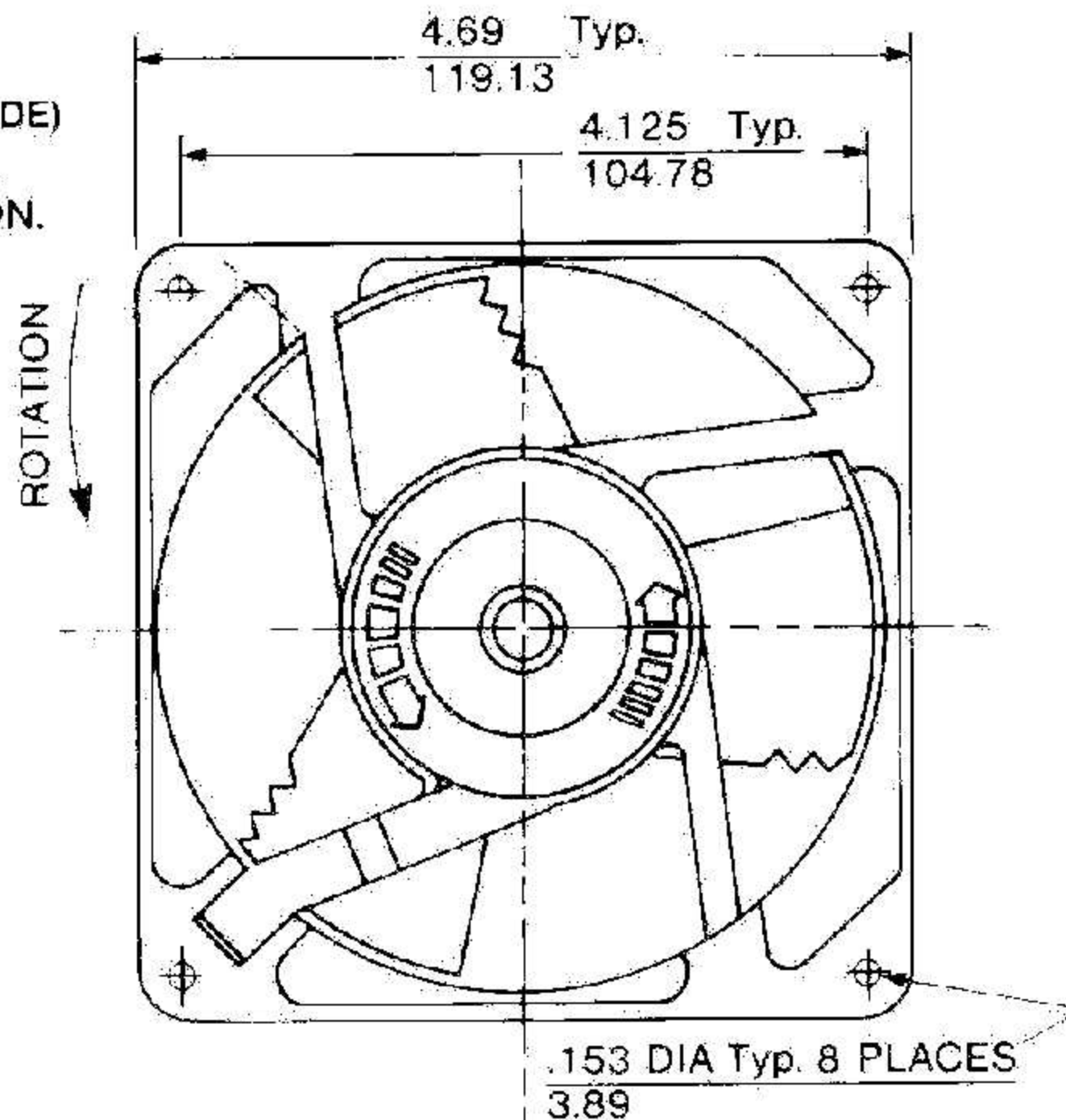


WILL ACCOMMODATE #550113 BLIND MOUNTING CLIPS FOR USE WITH #6-32 MACHINE SCREW.

WILL FIT PLUG & CORD ASSEMBLIES #550440 & 428056 OR AMP 110 SERIES RECEPTACLES OR EQUIVALENT



SOLDER TERMINALS EXTEND THIS SIDE FOR L-FLOW MODELS.



TERMINALS

$.120 \pm .002$ WIDE
 3.05 ± 0.05

$.020 \pm .001$ THICK
 0.51 ± 0.03

$.300 \pm .025$ LONG
 7.62 ± 0.64

DIMENSIONS: $\frac{\text{in}}{\text{mm}} \pm$
 TOLERANCES: .xx= $\frac{.03}{0.8}$
 .xxx= $\frac{.010}{.25}$
 (UNLESS NOTED)

Specifications subject to change without notice.